

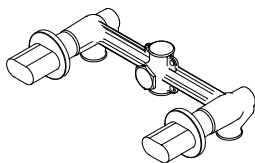
INSTALLATION INSTRUCTIONS

Two-Handle Valve and Two-Handle Basin Mixer

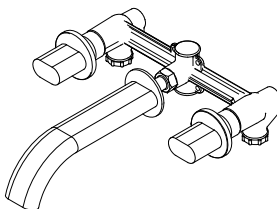
雙把手崁牆式閥體安裝說明

Applicable Product Number:

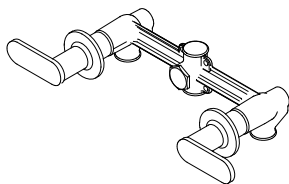
適用產品型號:



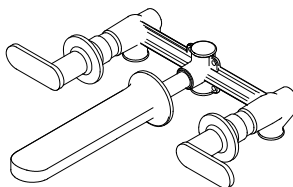
7920-9H-81CP
7920-9H-82CP



7920-92-81CP



△ 6923-9H-81CP
6923-9H-82CP



△ 6923-92-81CP
9923-92-81CP

CARE & CLEANING

清潔與保養

CAUTION : This product might be damaged by improper installation, acid cleaning solution, misuse, improper care and cleaning.

1. Always follow the INSTALLATION INSTRUCTIONS provided and use extreme care while installing.
2. Do not use acid cleaning solution or abrasive cleaner (Ex: Hydrochloric acid or toothpaste); test your cleaning solution on an inconspicuous area before applying to the entire surface.
3. Wipe surfaces clean and rinse completely with water immediately after applying cleaner. Do not soak with cleaners. Rinse and dry any overspray that lands on nearby surfaces.
4. Use a dampened sponge or cloth to clean surface. (Do not use abrasive material such as brush or scouring pad.)

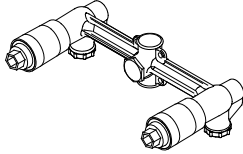
注意：此產品有可能因為不當安裝，誤用酸性清潔劑或清潔方式不正確而造成產品受損。

1. 產品安裝時必須依照產品所附的安裝說明和操作方式安裝。
2. 不可使用含有酸性或具研磨效果的清潔劑清洗（例如：鹽酸、牙膏），請先在產品較不顯眼的地方測試您的清潔方法，然後再應用到整個表面。
3. 產品塗佈清潔劑後，應立即擦拭除污，用清水沖洗，並擦乾產品和檯面。切勿讓清潔劑在產品表面浸濕潤漬過久。
4. 請使用濕海綿或乾淨棉布擦拭產品表面。（不可使用會刮傷或具研磨材質的刷子及鋼刷）。

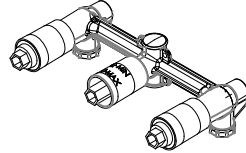
FIXING CONTENTS

組配件內容

A. Valve Body * 1 (with sleeve) 牆壁內本體(含保護套筒)

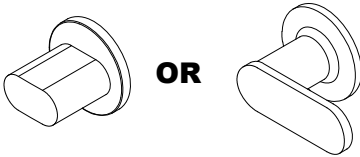


OR



B. Handle Assembly (Cold) * 1

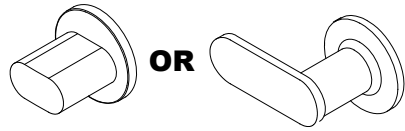
冷水開關把手



OR

C. Handle Assembly (Hot) * 1

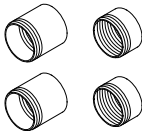
熱水開關把手



OR

D. Extension Connector * 4

牙管



FIXING CONTENTS

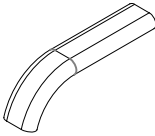
組配件內容

FIXING CONTENTS For 7920-92-81CP

以下零件適用於7920-92-81CP

E. Spout * 1
(with set screws)

出水口(附螺絲)



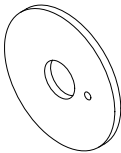
F. Hex Key(2.0mm * 1

六角扳手(2.0mm)



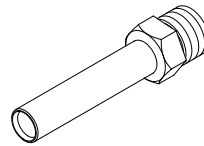
G. Flange Cover * 1

裝飾蓋



H. Connector * 1

出水口接頭



FIXING CONTENTS

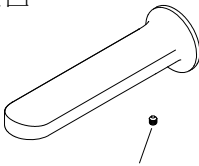
組配件內容

FIXING CONTENTS For 6923-92-81CP、9923-92-81CP

以下零件適用於
6923-92-81CP、9923-92-81CP

I. Spout * 1

出水口



With Set Screw M5(5mm)

附固定螺絲M5(5mm)

K. Set Screw(Spare) * 1

固定螺絲M5(5mm)(備用)



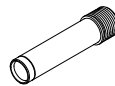
J. Hex Key(2.5mm) * 1

六角扳手(2.5mm)



L. Connector * 1

出水口接頭



Inside Pipe Arrangement

管路示意圖

NOTICE

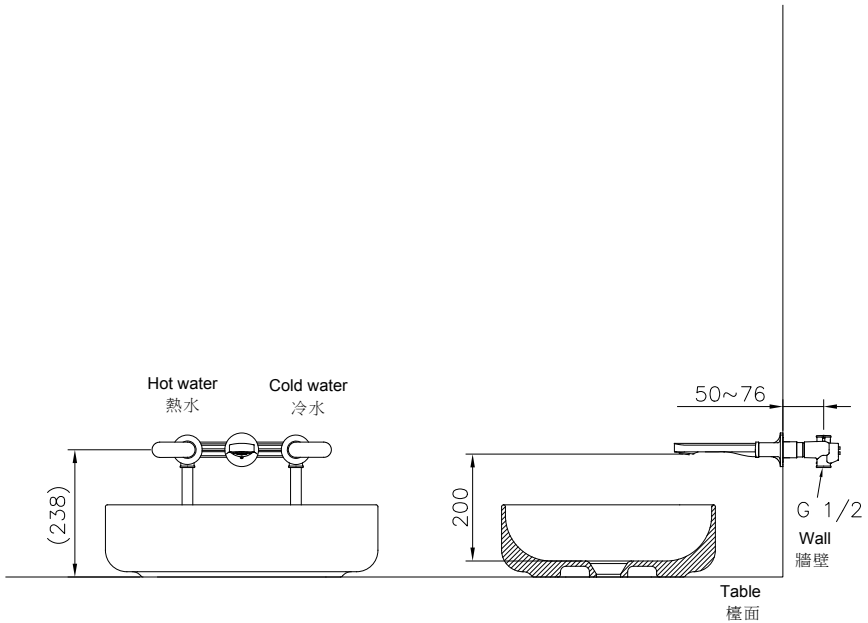
Suggested height of Spout can be 200mm higher than the basin.

Size in the parentheses is only for reference, please help to adjust the height to suit for each situation.

※注意

出水口高度，建議以盆底高度再加200mm。

()內之尺寸請依使用者之使用高度做調整，以下尺寸僅供參考。



unit:mm

INSTALLATION NOTE

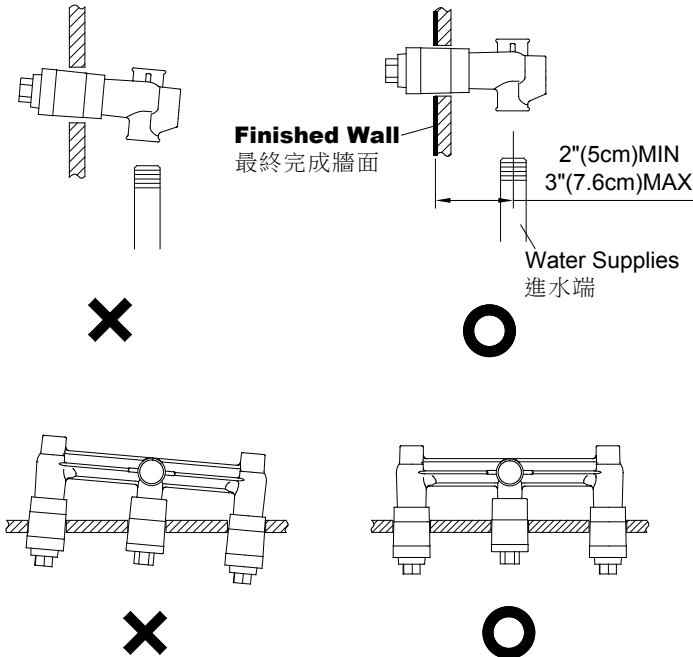
安裝注意事項

⚠ CAUTION : Please read the following point carefully before Installation.

1. Keep the **Valve Body** faces horizontal and parallel to the wall that will be finished.
2. Connect hot and cold supplies pipes to the valve body, and keep the distance between 2"(5cm) minimum and 3"(7.6cm) maximum from the finished wall; or keep the distance be 0.4" (1.1cm) to 1.5" (3.7cm) between top of cartridge and **Finished Wall** for necessary conditions.

⚠ 注意：安裝前，請詳閱下列注意事項。

1. 本產品安裝固定閥體於牆壁內側時，閥體需與牆壁保持平行。
2. 進水管中心與最終完成牆面的距離須保持在最小2"(5cm)到最大3"(7.6cm)之間，或陶瓷中心栓與最終完成牆面保持在最小0.4"(1.1cm)到最大1.5"(3.7cm)。



INSTALLATION NOTE

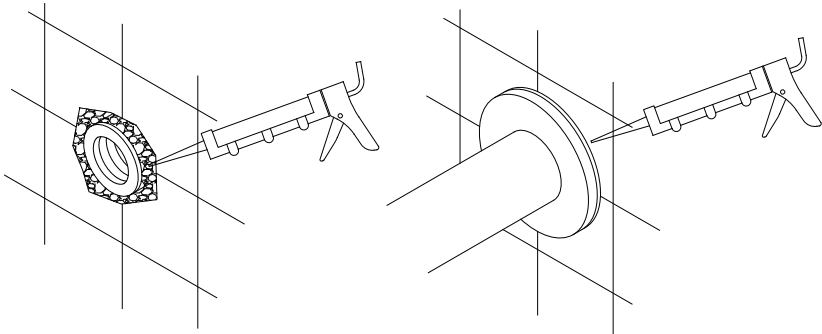
安裝注意事項

⚠ CAUTION : Concealed products need to be waterproof for the gap between the outlet of pipe and opening of wall/floor to prevent water flowing into the gap.

1. Caulk the gap with sealant or silicone.
2. Or seal the edge of decorative faceplate or cover with silicone
3. If the wall/floor is not flat or the gap of tile is big, please help to fill the gap with gap filler or caulking sealant to make decorative faceplate or cover be flat, and then seal the edge of decorative faceplate or cover to be waterproof.

⚠ 注意：壁式產品需在牆壁開孔周圍做好防水，避免水沿著牆壁開孔流入牆壁內側。

1. 在出水管與牆壁之間的間隙加入填縫劑或矽利康。
2. 或者用矽利康在牆壁裝飾蓋的周圍做封邊。
3. 若牆壁不平整或磁磚縫隙過大，需用填縫劑將縫隙填平，使面蓋可貼齊牆壁，達到止水效果。



⚠ CAUTION : Prevent the risk of product damage.

1. When finished installation, turn the valve on and run water for 1 minute to remove any debris before using.

⚠ 注意：為增加產品使用壽命，請依說明清潔供水管路。

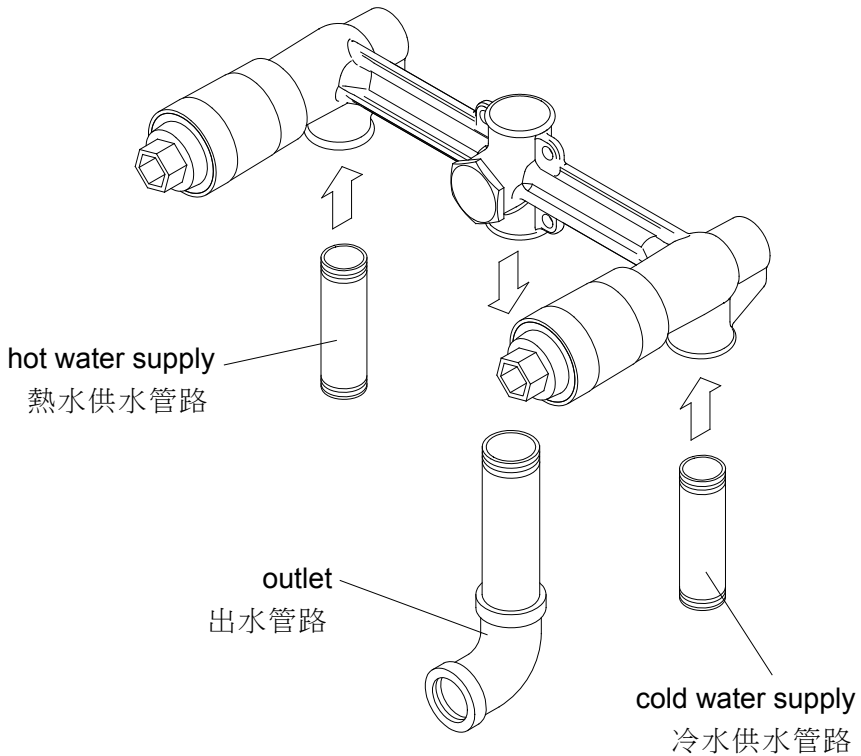
1. 完成安裝後，需在使用前先把供水開關全開排水持續一分鐘，去除雜質，以保持管路清潔。

INSTALLATION INSTRUCTIONS

安裝說明

* Pipe Connection For 7920-9H-82CP

7920-9H-82CP配管方式

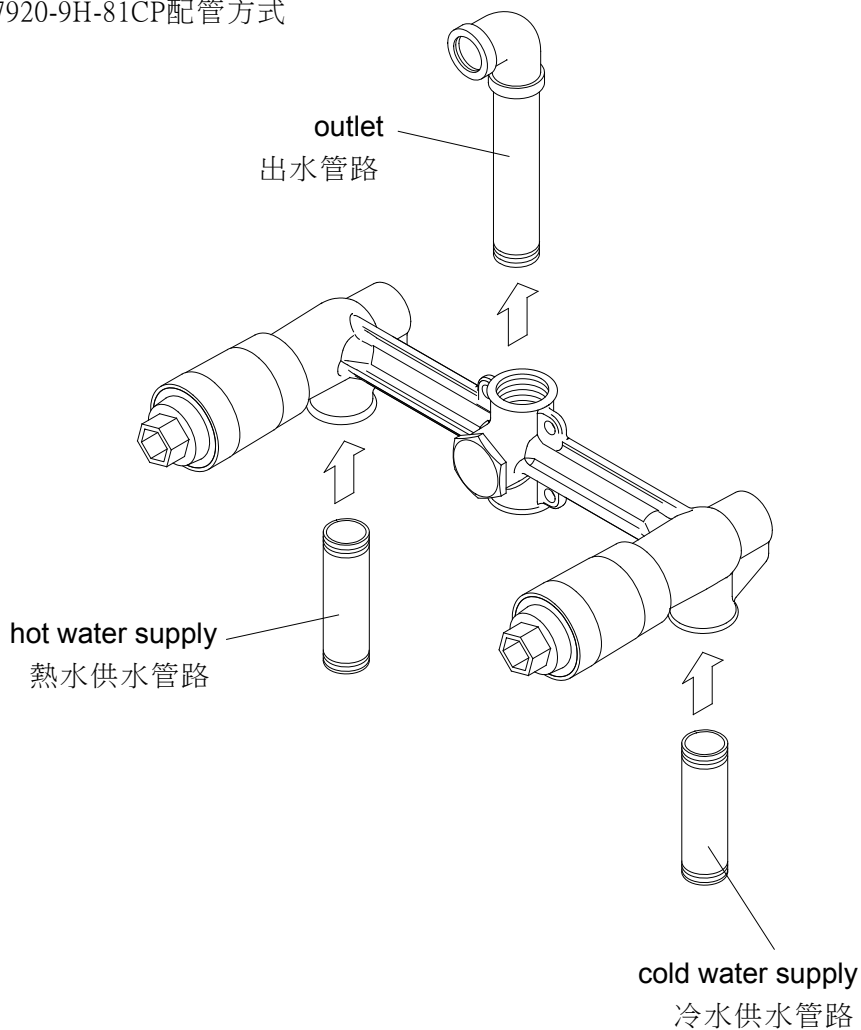


* Install hot and cold water supply pipes and outlet.

依圖示，安裝冷熱供水管路，與出水管路。

*** Pipe Connection For 7920-9H-81CP**

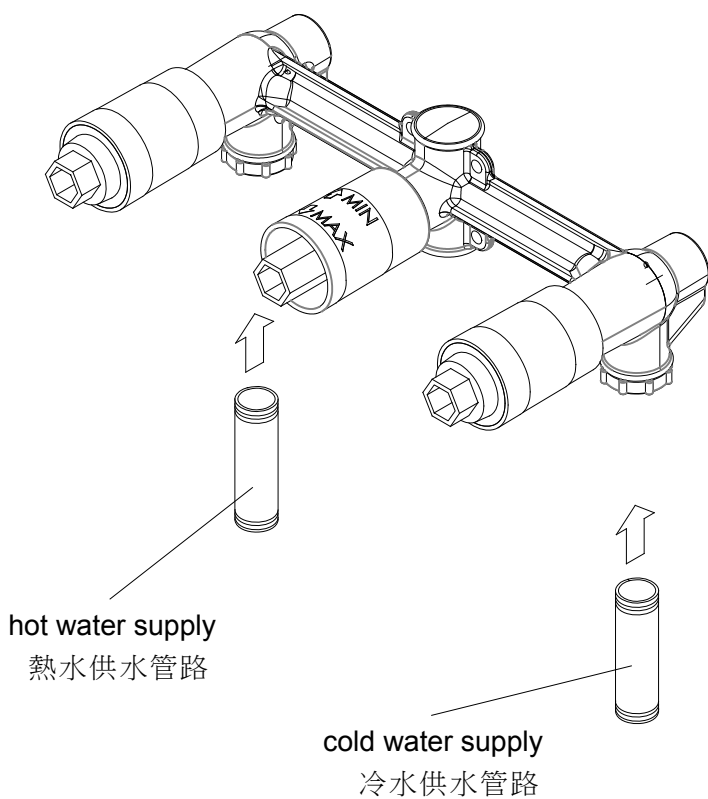
7920-9H-81CP配管方式



*** Install hot and cold water supply pipes and outlet.**

依圖示，安裝冷熱供水管路，與出水管路。

* Pipe Connection For 7920-92-81CP、6923-92-81CP、9923-92-81CP
以下配管方式適用於:7920-92-81CP、6923-92-81CP、9923-92-81CP



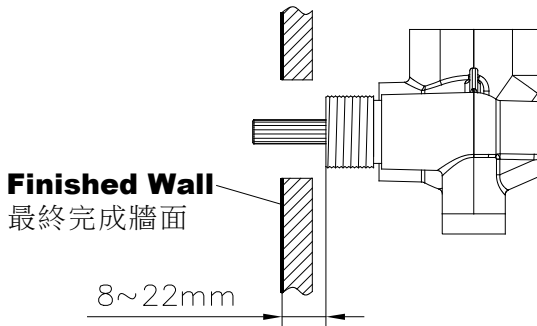
* Install hot and cold water supply pipes.
依圖示，安裝冷熱供水管路。

* Check the depth from **Finished Wall** to the top of threaded shank. Please choose Suggestion A if the depth is between 8mm~22mm; choose Suggestion B if the depth is smaller than 9mm or the top of thread is outside of **Finished Wall**.

量測牆壁內本體的牙管端面的深度。如果牙管端面到最終牆面的深度介於8mm~22mm則採用 A方案。如果小於9mm或牙管端面凸出牆面，則採用 B方案。

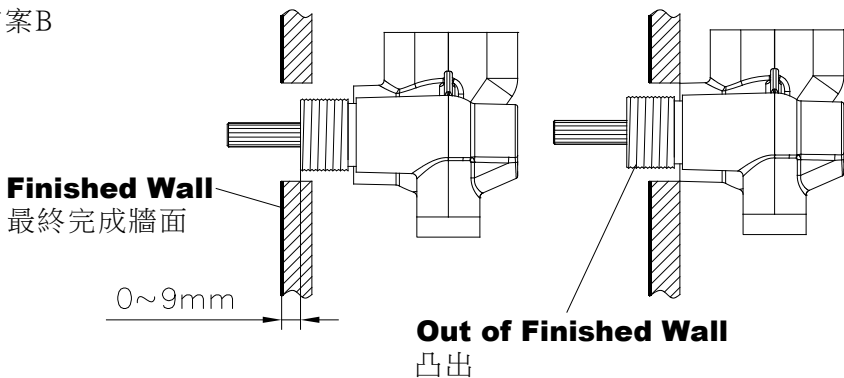
Suggestion A

方案A



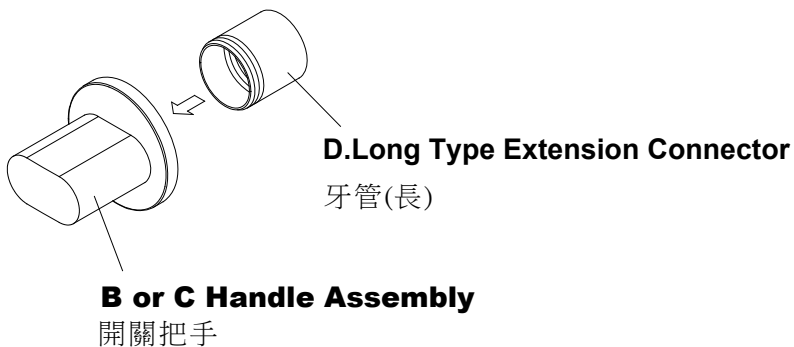
Suggestion B

方案B



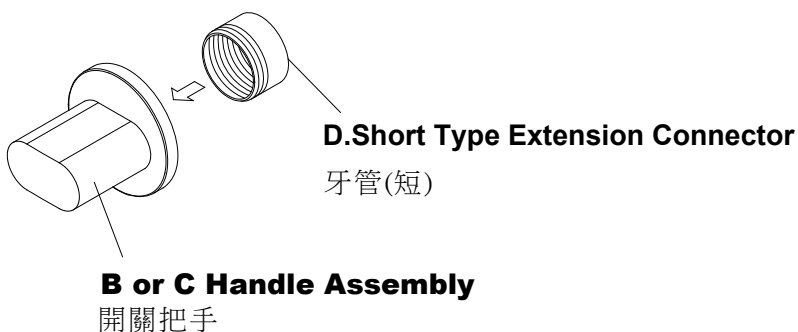
* Suggestion A: Please screw the **Long Type Extension Connector** into the **Handle Assemblies of Hot and Cold**.

A方案者，請由零件包中取出長牙管，轉入把手底部。



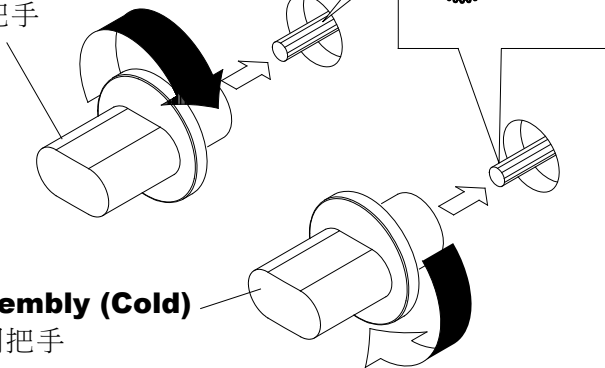
* Suggestion B: Please screw the **Short Type Extension Connector** into the **Handle Assemblies of Hot and Cold**.

B方案者，請由零件包中取出短牙管，轉入把手底部。



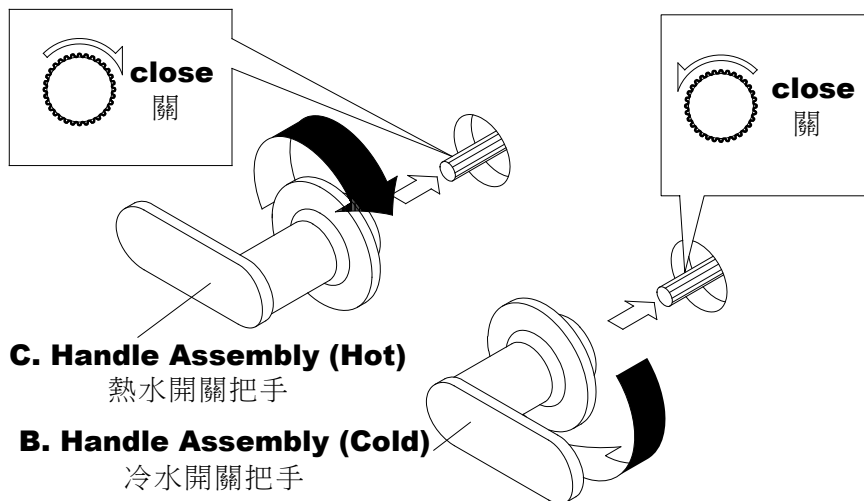
C. Handle Assembly (Hot)

熱水開關把手



B. Handle Assembly (Cold)

冷水開關把手



C. Handle Assembly (Hot)

熱水開關把手

B. Handle Assembly (Cold)

冷水開關把手

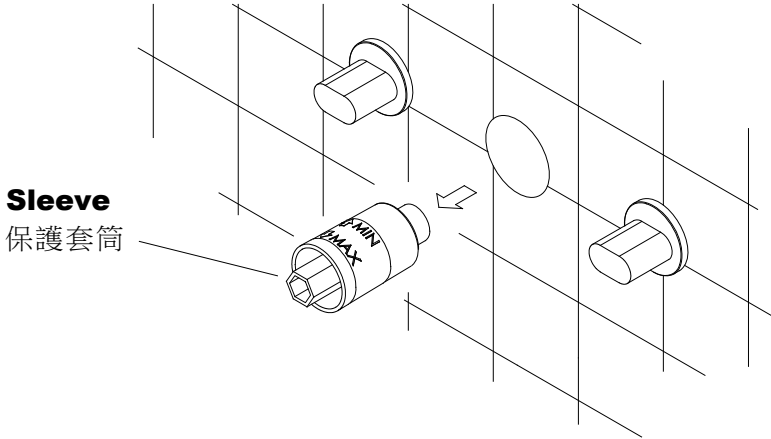
* Close **Hot Valve** and **Cold Valve** as Figure show before installing the **Handle Assemblies**. Screw both **Hot and Cold Handle Assemblies** with **Extension Connectors** to the threaded shanks of valve securely till against the wall.

依圖示將冷熱水開關轉至關水位置，取冷熱開關把手組及牙管依圖示方向組入中心栓。

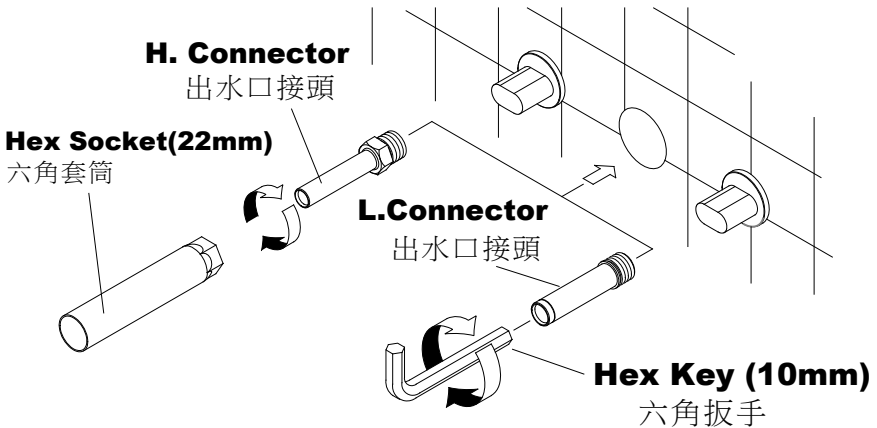
Instaiiation Steps For :

以下步驟適用於產品編號：

7920-92-81CP、**6923-92-81CP**、**9923-92-81CP**



- * Remove the **Sleeves** before install spout
開始安裝出水口之前，首先移除保護蓋。

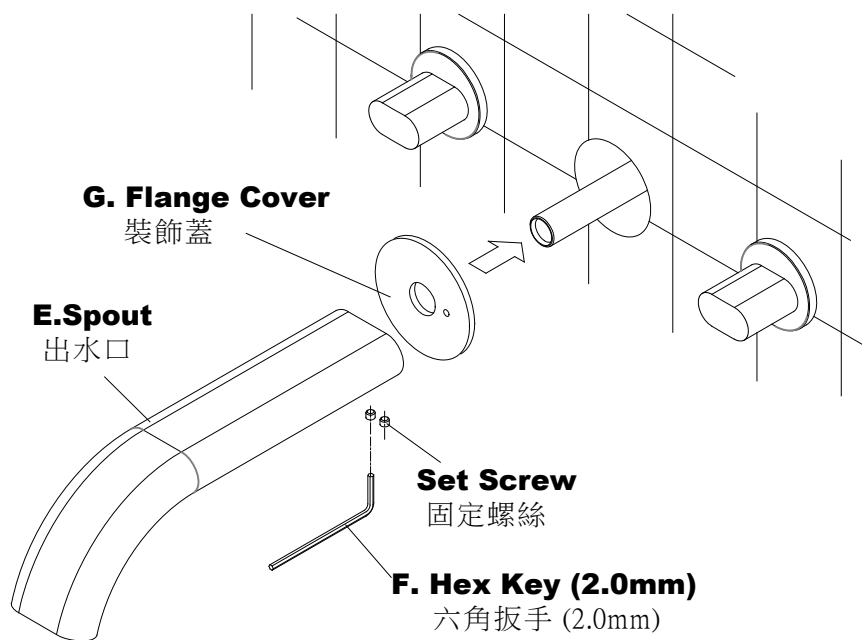


- * Apply pipe compound or thread sealant tape to the thread of **Spout Connector**, screw the **Spout Connector** to the **Valve Body** with **Hex Socket(22.0mm)** or **Hex Key(10mm)**.

先將出水口接頭鎖牙處纏上止洩帶或塗上止洩膠，使用六角套筒(22.0mm)或六角扳手(10mm)將出水口接頭鎖入牆壁內本體鎖牙處。

Installation Steps For :

以下步驟適用於產品編號：7920-92-81CP

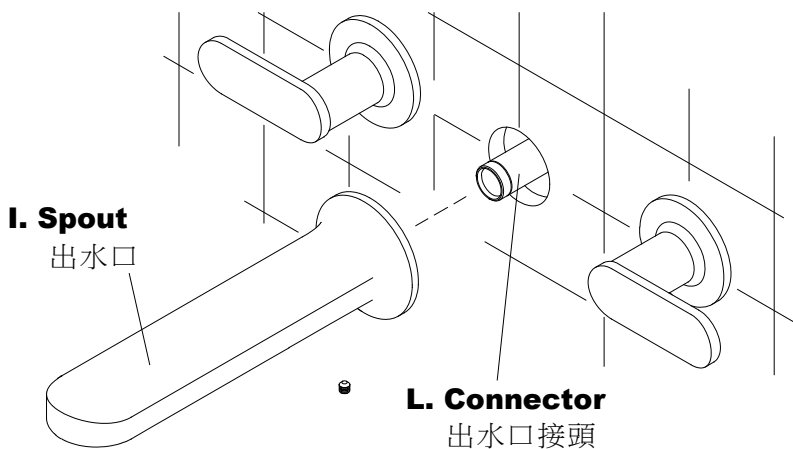


* Put **Flange Cover** between Spout and Finished Wall, insert **Spout Connector** into **Spout** and align with **Flange Cover**, and then tighten **Set Screws** underneath **Spout** with **Hex Key(2.0mm)**.

先將裝飾蓋套入出水口接頭，再將出水口插入出水口接頭，並與裝飾蓋對齊，最後使用六角扳手(2.0mm)將出水口下方固定螺絲鎖緊。

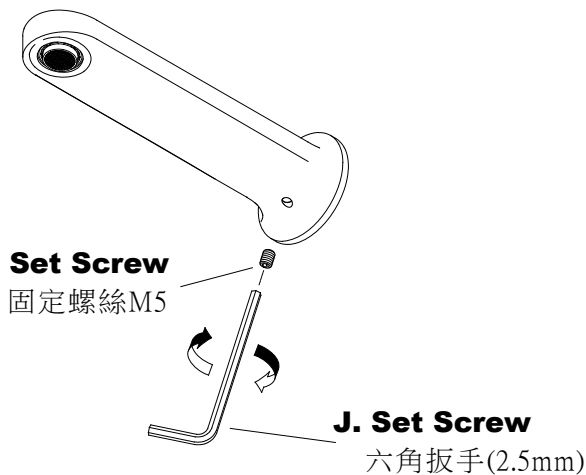
Installation Steps For :

以下步驟適用於產品編號：**6923-92-81CP**、**9923-92-81CP**



* Insert **Spout connector** into **Spout**.

將出水口接上出水口接管。

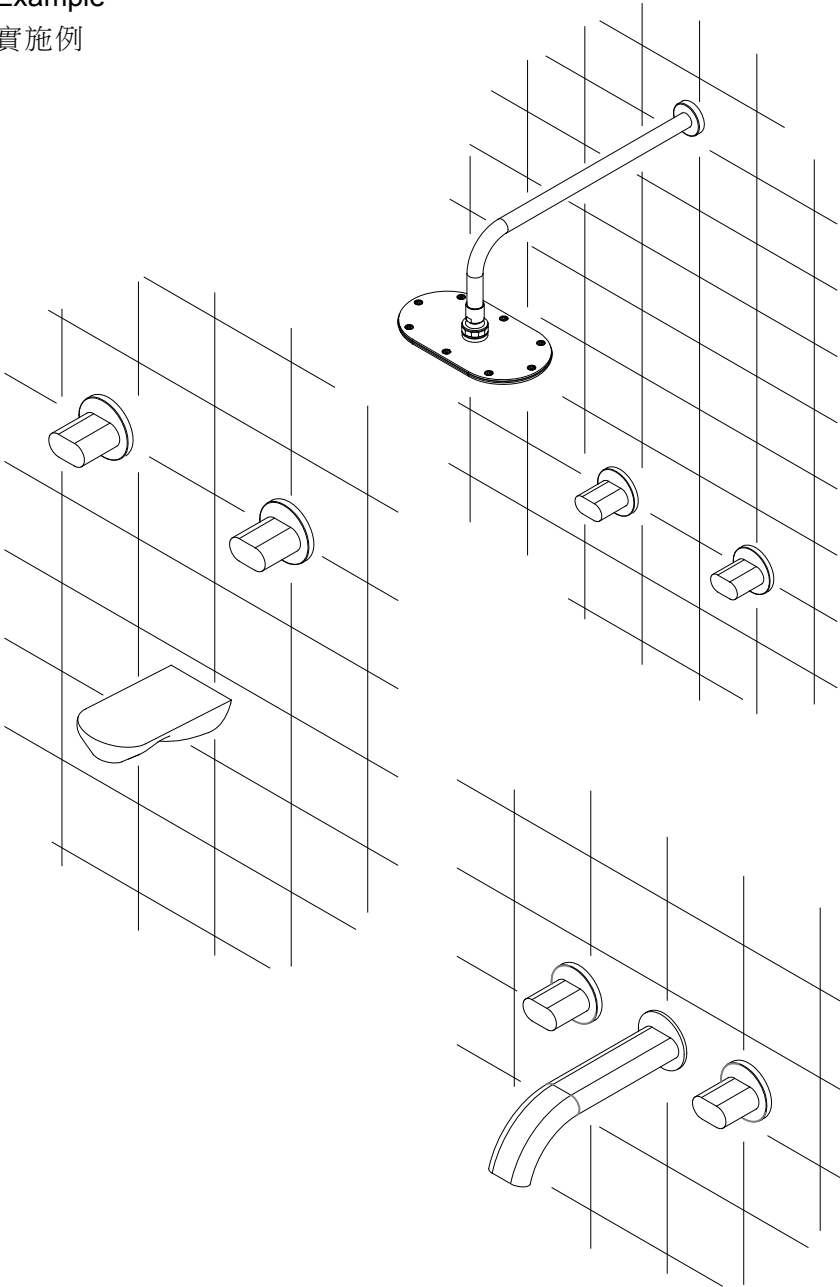


* And then fix **Spout** with provided **Set Screws** and **Hex Key**.

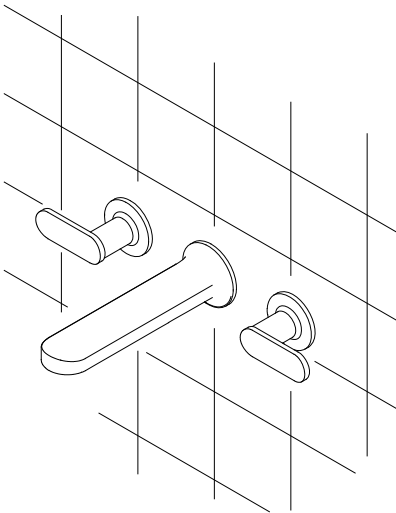
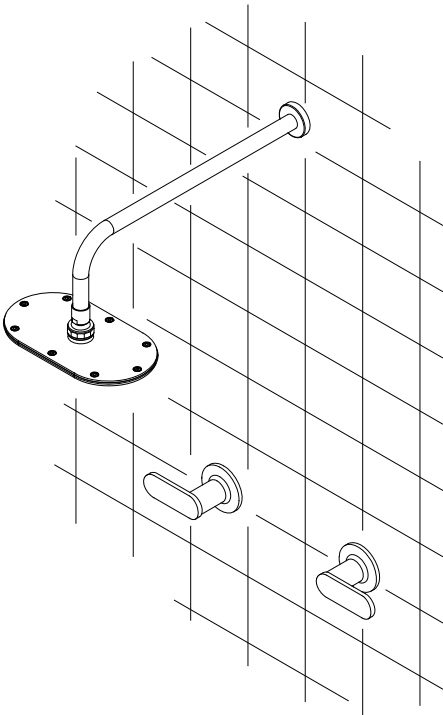
接管後並調整好位置，再利用六角扳手鎖上固定螺絲。

* Example

實施例



* Example
實施例



WARRANTY

Sheng Tai Brassware Co., Ltd. offer a three-year warranty on all of the Faucets & Bathroom Accessories from date of purchasing. The warranty covers any defect in material and workmanship during normal residential use. The following conditions of defect are charged for maintaining.

- Damage caused by accident, misuse, improper care and cleaning.
- Improper using or installation.
- Defects because of the external factors, such as erodent environment (ex. Seashore or mineral spring.), animal bites or dead bug remains in product etc.
- Defect because of sand or impurity stuck in faucet water way.
- Using water not adhered to the regulations of national standard.
- Deficiency caused by freeze.
- Not showing this warranty card.
- Not filling out in the blank of name of customer, date of purchase, cost of purchase, company of installation (retail store) and stamp on warranty card.
- Sheng Tai Brassware Co., Ltd. is not responsible for labor charges, installation, or other incidental or consequential costs.

勝泰衛材股份有限公司提供所有的水龍頭及浴室配件，從購買之日起三年保固。保固範圍包括在一般住宅正常使用的期間，發現產品有任何材質和加工上的瑕疵。如瑕疵有下列情形，將收取維修費用。

- 因意外事故、不當操作使用，不當的保養維護和清洗所造成的損害。
- 不當使用或安裝。
- 外在因素造成產品的瑕疵，如易造成侵蝕的環境（如濱海或溫泉地區）、動物嚙咬或屍體存在於產品內造成的損壞。
- 因砂子或雜質卡住水龍頭水路造成的損壞。
- 沒有依循國家標準的規定使用水源造成的損壞。
- 因冰凍造成的水量不足。
- 未出示此保固卡。
- 未在空白處填寫客戶名稱，購買日期，購買成本，安裝公司（零售商店），及保證卡上未蓋章。
- 勝泰衛材股份有限公司不負責工人費用，安裝，或其他附帶或間接產生的費用。

Customer	Name		Tel	
	Address			
Product	Serial No.		Name	
	Warranty	Three year from date of purchase.		
Purchase place	Store		Tel	
	Address			
Purchase Date				
Purchase Price				

JUSTIME
www.justime.com

SHENG TAI BRASSWARE CO., LTD.

No.99 Sec.3 Chang Tsao Rd. Ho Me, Chang Hua, Taiwan

508 台灣彰化縣和美鎮彰草路3段99號

TEL: +886-4-7629971~4

FAX: +886-4-7526980

E-mail: shengtai@ms10.hinet.net

Facebook: www.facebook.com/JUSTIME