

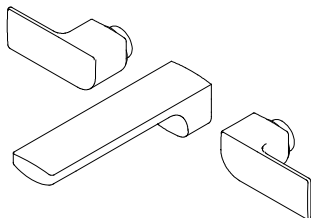
## INSTALLATION INSTRUCTIONS

Wall-Mounted Basin Mixer & Two-Handle Valve

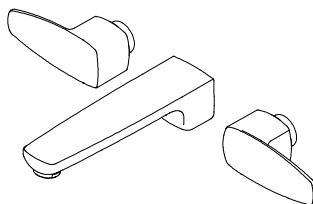
壁式檯面龍頭&壁式雙把手閥體安裝說明

### Applicable Product Number:

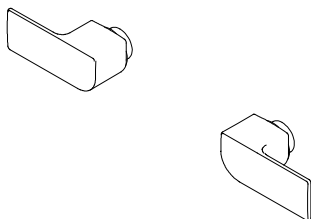
適用產品型號:



5790-92-81CP

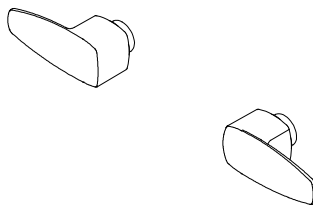


9779-92-81CP



7790-9H-81CP

7790-9H-82CP



6779-9H-81CP

6779-9H-82CP

# CARE & CLEANING

## 清潔與保養

**CAUTION : This product might be damaged by improper installation, acid cleaning solution, misuse, improper care and cleaning.**

1. Always follow the INSTALLATION INSTRUCTIONS provided and use extreme care while installing.
2. Do not use acid cleaning solution or abrasive cleaner (Ex: Hydrochloric acid or toothpaste); test your cleaning solution on an inconspicuous area before applying to the entire surface.
3. Wipe surfaces clean and rinse completely with water immediately after applying cleaner. Do not soak with cleaners. Rinse and dry any overspray that lands on nearby surfaces.
4. Use a dampened sponge or cloth to clean surface. (Do not use abrasive material such as brush or scouring pad. )

注意：此產品有可能因為不當安裝，誤用酸性清潔劑或清潔方式不正確而造成產品受損。

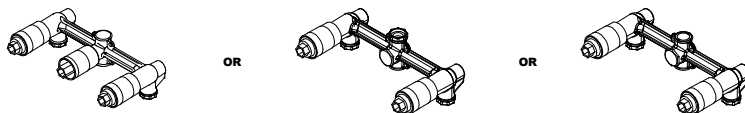
1. 產品安裝時必須依照產品所附的安裝說明和操作方式安裝。
2. 不可使用含有酸性或具研磨效果的清潔劑清洗（例如：鹽酸、牙膏），請先在產品較不顯眼的地方測試您的清潔方法，然後再應用到整個表面。
3. 產品塗佈清潔劑後，應立即擦拭除污，用清水沖洗，並擦乾產品和檯面。切勿讓清潔劑在產品表面浸濕潤漬過久。
4. 請使用濕海綿或乾淨棉布擦拭產品表面。（不可使用會刮傷或具研磨材質的刷子及鋼刷）。

# FIXING CONTENTS

## 組配件內容

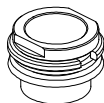
### A. Valve Body X 1 (with sleeve)

牆壁內本體(含保護套筒)



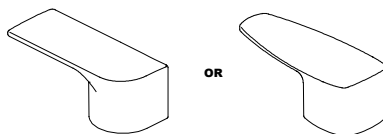
### B. Base of Handle x 2 (with Packing)

把手座(含墊片)



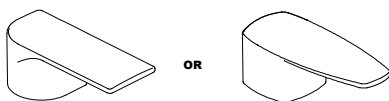
### C. Handle (Hot) x 1 (with H icon)

把手蓋(H)



### D. Handle (Cold) x 1 (with C icon)

把手蓋(C)



# FIXING CONTENTS

## 組配件內容

### FIXING CONTENTS For 5790-92-81CP & 9779-92-81CP

以下零件適用於  
5790-92-81CP & 9779-92-81CP

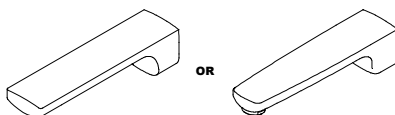
#### E. Nipple X 1

牙管



#### F. Spout X 1

出水口



#### G. Base of Spout X 1 (with O-ring & Washer and Gasket)

出水口底座(含O-ring、白鐵片、墊片)



#### H. Set Screw X 1

固定螺絲M6



#### I. Hex. Key (3.0mm) X 1

六角扳手(3.0mm)



# Inside Pipe Arrangement

## 管路示意圖

### NOTICE

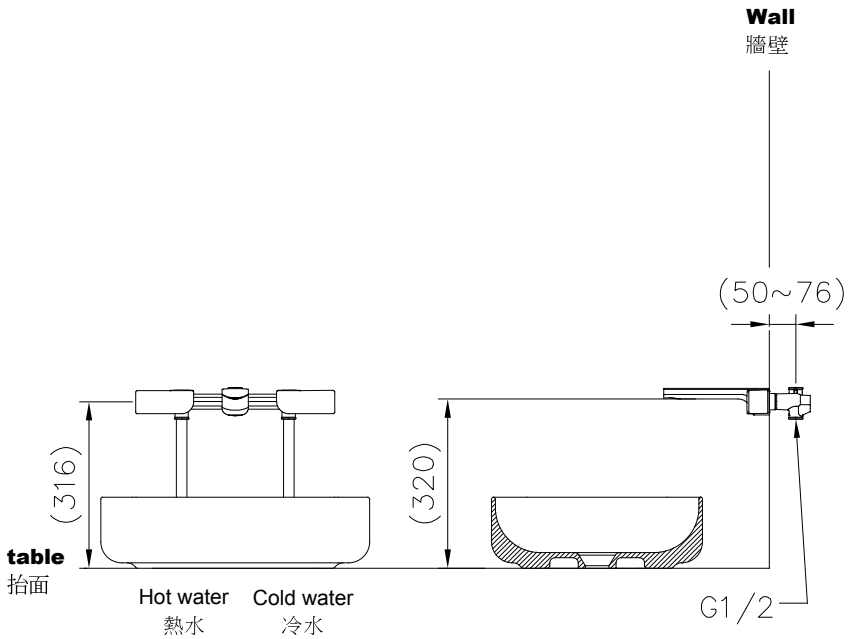
**Suggested height of Spout can be 200mm higher than the basin.**

**Size in the parentheses is only for reference, please help to adjust the height to suit for each situation.**

※注意

出水口高度，建議以盆底高度再加200mm。

( )內之尺寸請依使用者之使用高度做調整，以下尺寸僅供參考。



unit:mm

# INSTALLATION NOTE

## 安裝注意事項

**⚠ CAUTION : Please read the following point carefully before Installation.**

1. Keep the **Valve Body** is horizontal and parallel to the wall that will be finished.
2. Connect hot and cold supply pipes to the **Valve Body**, and keep the distance between 2" (5cm) minimum and 3" (7.6cm) maximum from the Finished Wall to the center of **Valve Body**; or keep the distance be 0.4 " (1.1cm) to 1.5" (3.7cm) between top of cartridge and Finished Wall for necessary conditions.

**⚠ CAUTION : Prevent the risk of product damage.**

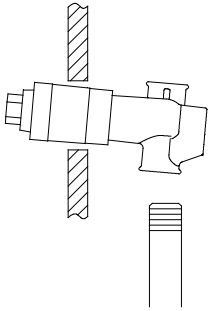
1. When installation has been completed, turn the valve on and run water for 1 minute to remove any debris before using.

**⚠ 注意：安裝前，請詳閱下列注意事項。**

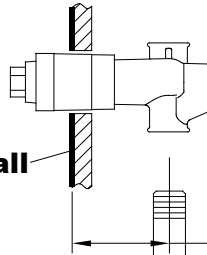
1. 本產品安裝固定閥體於牆壁內側時，閥體需與牆壁保持平行。
2. 進水管中心與最終完成牆面的距離須保持在最小2"(5cm)到最大3"(7.6cm)之間，或陶瓷中心栓與最終完成牆面保持在最小0.4"(1.1cm)到最大1.5"(3.7cm)。

**⚠ 注意：為增加產品使用壽命，請依說明清潔供水管路。**

1. 完成安裝後，需在使用前先把供水開關全開排水持續一分鐘，去除雜質，以保持管路清潔。

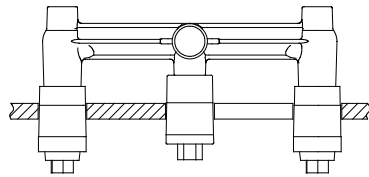
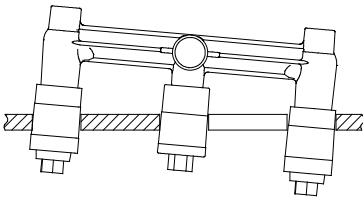


**Finished Wall**  
最終完成牆面



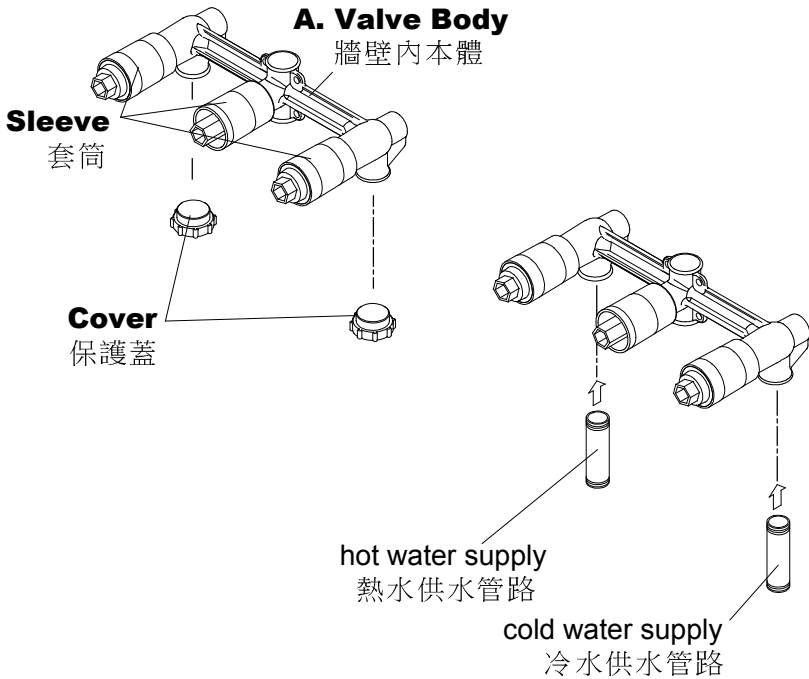
2"(5cm)MIN  
3"(7.6cm)MAX

Water Supply  
進水端



# INSTALLATION INSTRUCTIONS

## 安裝說明



- \* Use **Sleeves** to protect the cartridge and thread before installation, and **Sleeves** could be removed only after complete the finished wall.

使用套筒保護陶瓷中心栓及螺牙，必須在安裝程序前先套上。完成埋壁體安裝程序後才可以取下套筒。

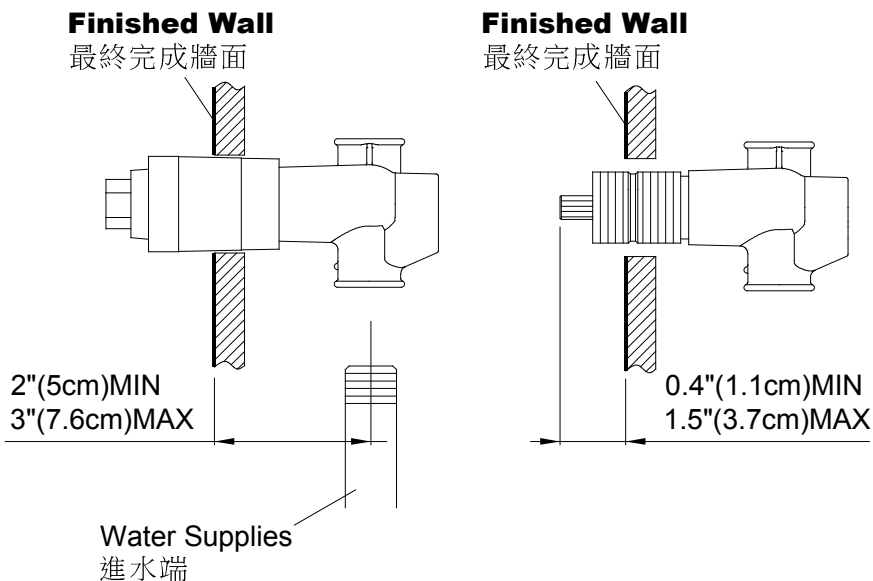
- \* Remove the **Covers** of cold and hot inlets before installation.

安裝前請先移除冷熱水進水口保護蓋。

- \* Install hot and cold water supply pipes as figure shows.

依圖示，安裝冷熱供水管路。





- \* Connect hot and cold supply pipes to the **Valve Body**, and keep the distance between 2" (5cm) minimum and 3" (7.6cm) maximum from the Finished Wall to the center of **Valve Body**; or keep the distance be 0.4" (1.1cm) to 1.5" (3.7cm) between top of cartridge and Finished Wall for necessary conditions.

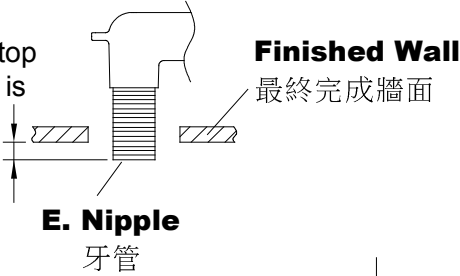
安裝牆壁內本體時需預留的牆壁厚度，牆壁內本體與最終完成牆面的距離須保持在最小2"(5cm)到最大3"(7.6cm)之間，或陶瓷中心栓與最終完成牆面保持在最小0.4"(1.1cm)到最大1.5"(3.7cm)，此為安裝必要條件。

**Installation Steps For :**

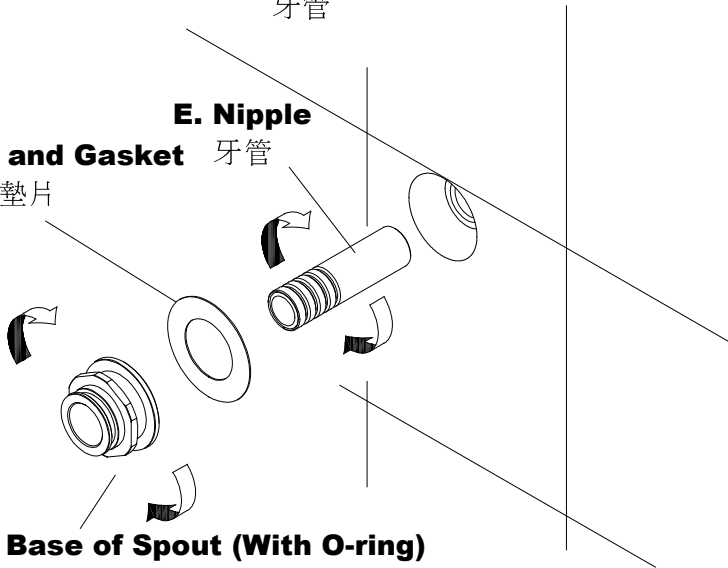
以下步驟適用於產品編號：**5790-92-81CP & 9779-92-81CP**

Suggested distance from top of Nipple to Finished Wall is 0~5mm

牙管長度建議與最終完成牆面持平或少於5mm之內



**E. Nipple Washer and Gasket**  
牙管白鐵片及墊片

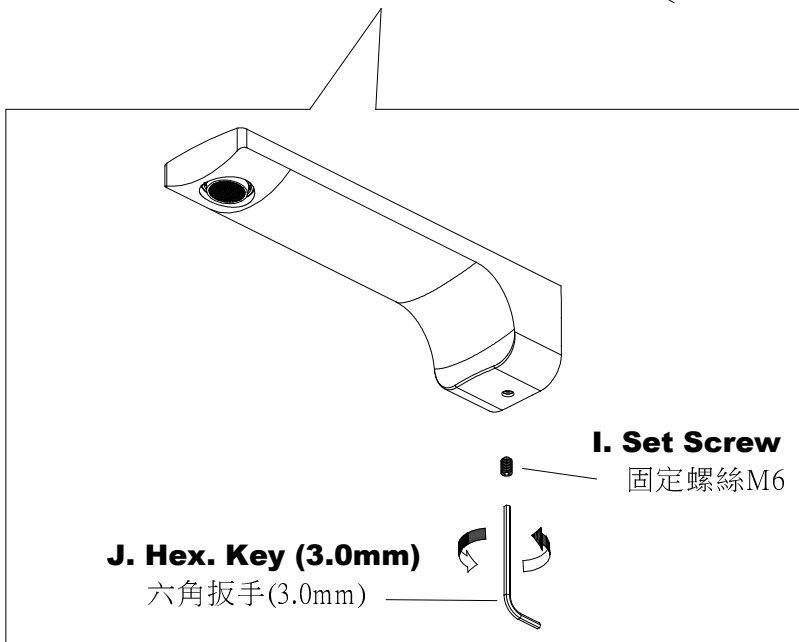
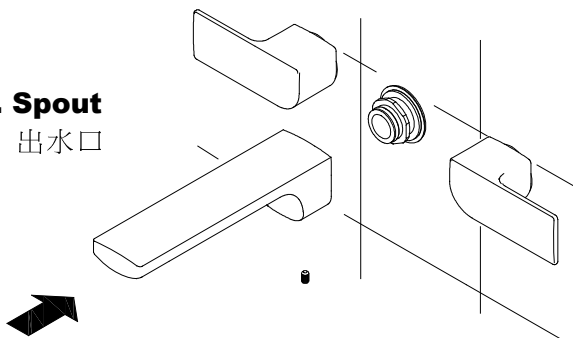


**G. Base of Spout (With O-ring)**  
出水口底座

\* Apply the pipe compound or thread sealant tape and then screw it to the **Valve Body**. Suggested distance from top of **Nipple** to **Finished Wall** is 0~5mm, and **Nipple** could be cut if necessary. Screw the **Base of Spout (With O-ring)** with **Gasket and Washer** clockwise to **Nipple** till against **Finished Wall**. Please notice the **Gasket** has to be placed between base and wall.

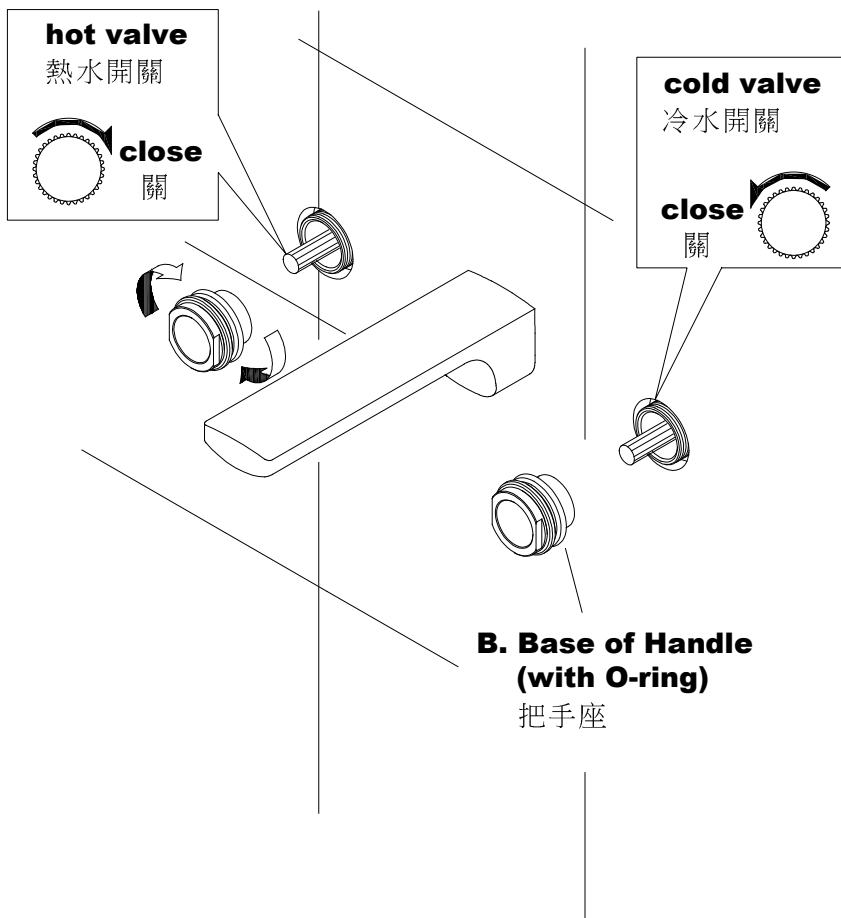
將牙管依順時針方向鎖入牆內閥體，組裝後的長度建議與最終完成牆面持平或多於5mm之內，可因應現場情況進行裁切。再將出水口底座依順時針方向旋轉鎖入牙管直到貼緊牆壁，注意白鐵片及墊片需置於底座與牆面之間，墊片面牆邊。

**F. Spout**  
出水口



\* Position **Spout** onto **Base of Spout**, and then fix with provided **Set Screw** and **Hex Key**.

將出水口接上出水口底座，並調整好位置，再利用六角扳手鎖上固定螺絲。

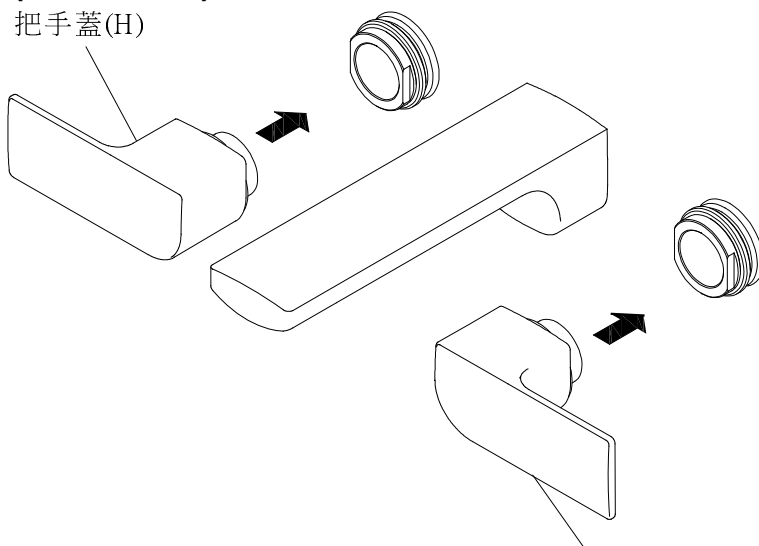


\* Turn the spindles of valves to closed position, screw the **Base of Handle** to the shanks of **hot and cold valves** till against finished wall.

將冷熱水開關轉至關水位置，熱水開關順時鐘轉到底關閉，冷水開關逆時鐘轉到底關閉。接著取把手蓋鎖入左右牙管並鎖緊。

**C. Handle (Hot)  
(with H icon)**

把手蓋(H)



**D. Handle (Cold)  
(with C icon)**

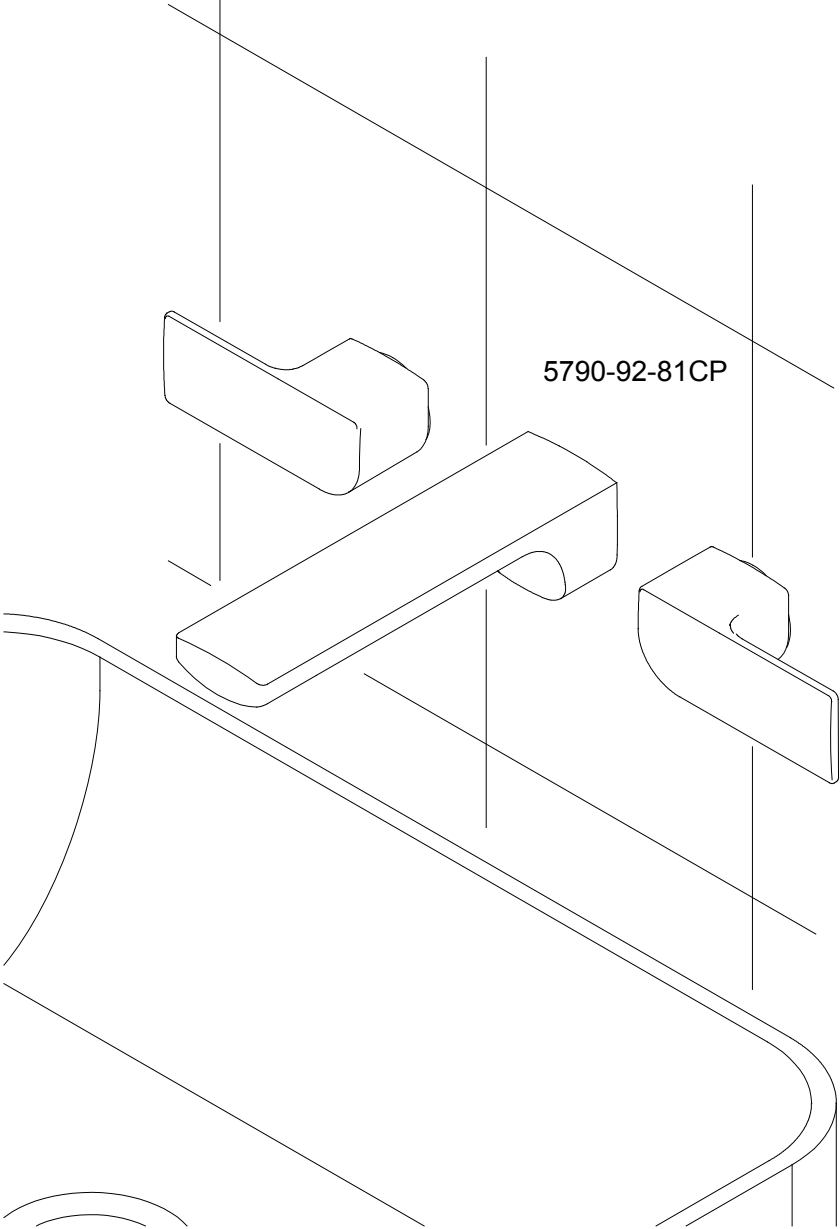
把手蓋(C)

\* Confirm hot and cold valves have been turned to closed position before install the **Handles**. Press hot and cold **Handles** onto valve spindles until hear the click sound as the figure shows.

確認冷熱水開關已轉至關水位置。將把手桿保持在水平位置組入中心栓，壓到底之後會有喀噠聲，表示安裝完成。

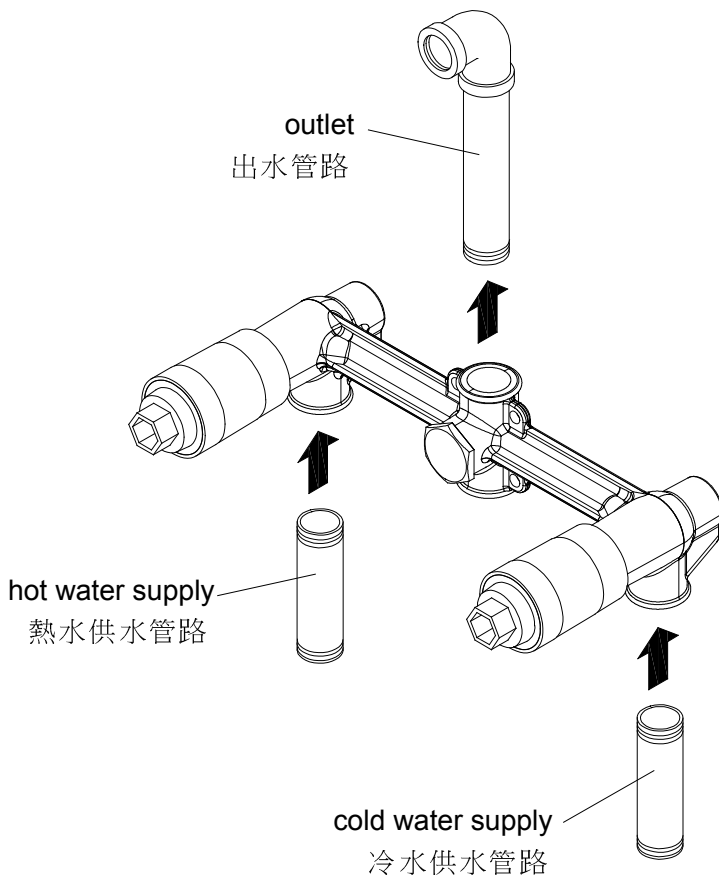
# Finish Installation

完成圖



### Installation Steps For :

以下步驟適用於產品編號：**7790-9H-81CP & 6779-9H-81CP**

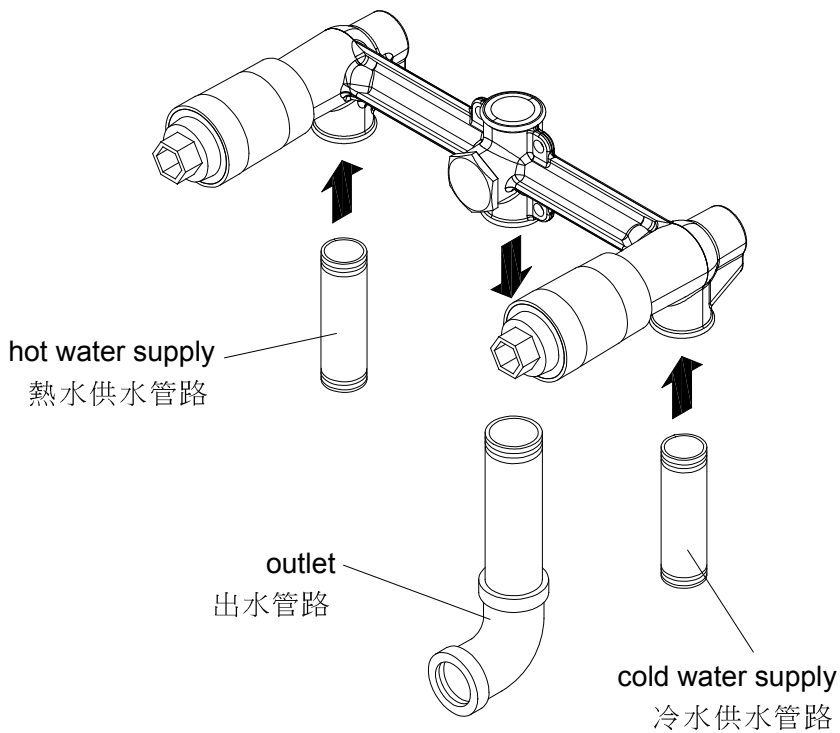


\* Install hot and cold water supply pipes and outlet.

依圖示，安裝冷熱供水管路，與出水管路。

**Installation Steps For :**

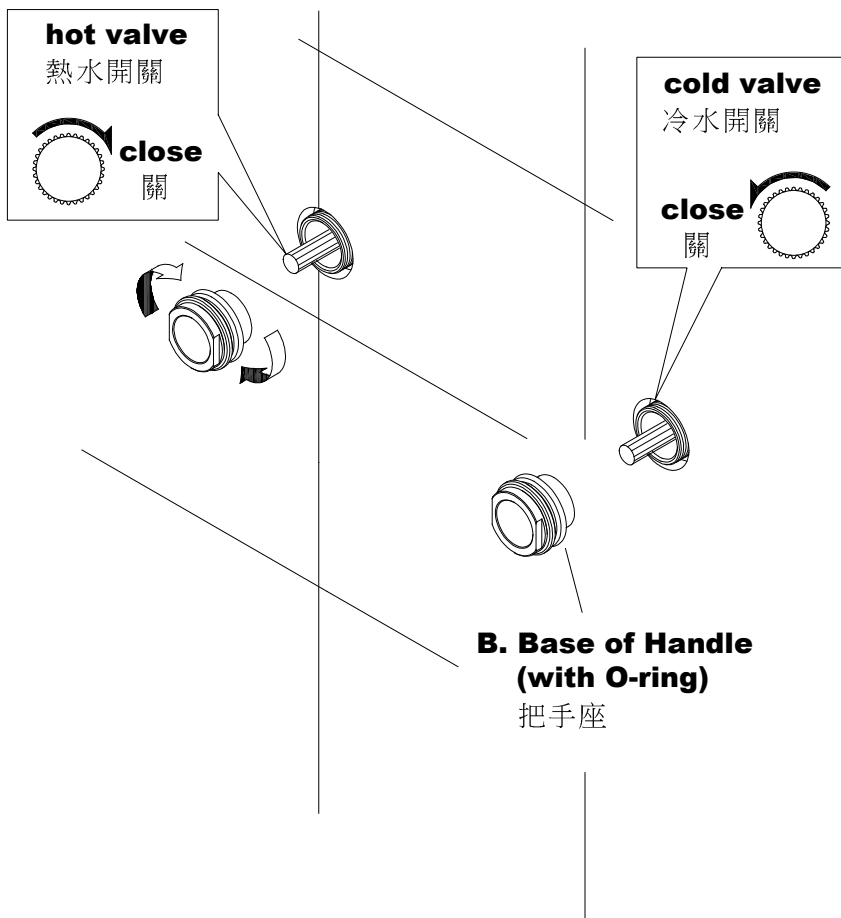
以下步驟適用於產品編號：**7790-9H-82CP & 6779-9H-82CP**



**\* Install hot and cold water supply pipes and outlet.**

依圖示，安裝冷熱供水管路，與出水管路。



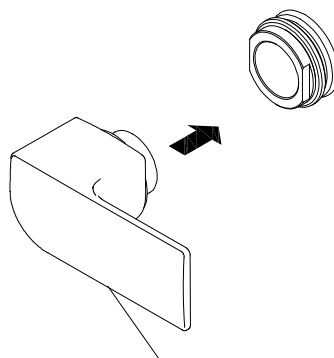
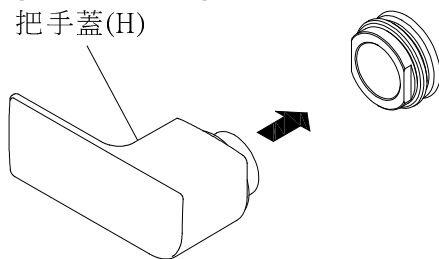


\* S Turn the spindles of valves to closed position, screw the **Base of Handle** to the shanks of **hot and cold valves** till against finished wall.

將冷熱水開關轉至關水位置，熱水開關順時鐘轉到底關閉，冷水開關逆時鐘轉到底關閉。接著取把手蓋鎖入左右牙管並鎖緊。

**C. Handle (Hot)  
(with H icon)**

把手蓋(H)



**D. Handle (Cold)  
(with C icon)**

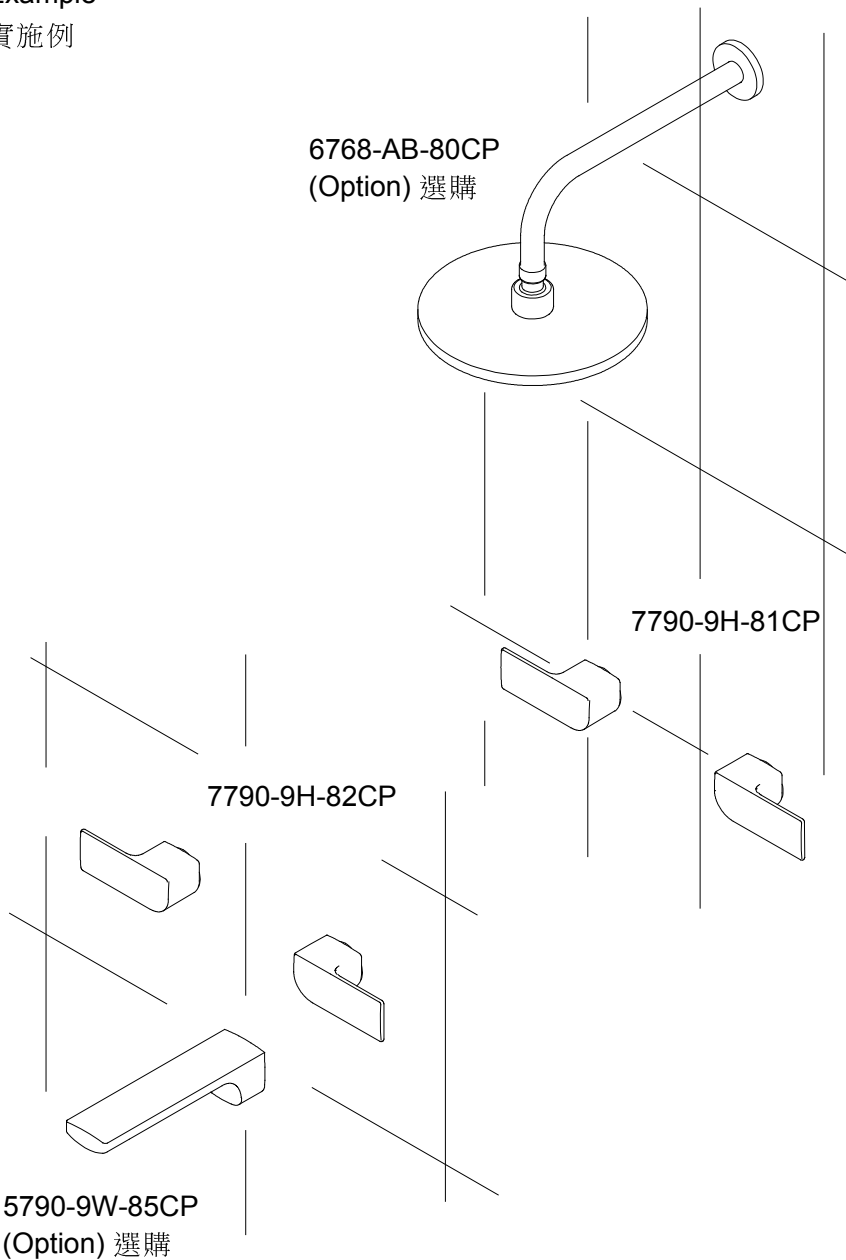
把手蓋(C)

\* Confirm hot and cold valves have been turned to closed position before install the **Handles**. Press hot and cold **Handles** onto valve spindles until hear the click sound as the figure shows.

確認冷熱水開關已轉至關水位置。將把手桿保持在水平位置組入中心栓，壓到底之後會有喀噠聲，表示安裝完成。

\* Example

實施例



# WARRANTY

Sheng Tai Brassware Co., Ltd. offer a three-year warranty on all of the Faucets & Bathroom Accessories from date of purchasing. The warranty covers any defect in material and workmanship during normal residential use. The following conditions of defect are charged for maintaining.

- Damage caused by accident, misuse, improper care and cleaning.
- Improper using or installation.
- Defects because of the external factors, such as erodent environment (ex. Seashore or mineral spring.), animal bites or dead body remains in product etc.
- Defect because of sand or impurity stuck in faucet water way.
- Using water not adhered to the regulations of national standard.
- Deficiency caused by freeze.
- Not showing this warranty card.
- Not filling out in the blank of name of customer, date of purchase, cost of purchase, company of installation (retail store) and stamp on warranty card.
- Sheng Tai Co., Ltd. is not responsible for labor charges, installation, or other incidental or consequential costs.

勝泰衛材股份有限公司提供所有的水龍頭及浴室配件，從購買之日起三年保固。保固範圍包括在一般住宅正常使用的期間，發現產品有任何材質和加工上的瑕疵。如瑕疵有下列情形，將收取維修費用。

- 因意外事故、不當操作使用，不當的保養維護和清洗所造成的損害。
- 不當使用或安裝。
- 外在因素造成產品的瑕疵，如易造成侵蝕的環境（如濱海或溫泉地區）、動物嚙咬或屍體存在於產品內造成的損壞。
- 因砂子或雜質卡住水龍頭水路造成的損壞。
- 沒有依循國家標準的規定使用水源造成的損壞。
- 因冰凍造成的水量不足。
- 未出示此保固卡。
- 未在空白處填寫客戶名稱，購買日期，購買成本，安裝公司（零售商店），及保證卡上未蓋章。
- 勝泰衛材股份有限公司不負責工人費用，安裝，或其他附帶或間接產生的費用。

Customer	Name		Tel	
	Address			
Product	Serial No.		Name	
	Warranty	Three year from date of purchase.		
Purchase place	Store		Tel	
	Address			
Purchase Date				
Purchase Price				

**JUSTIME**  
www.justime.com

**SHENG TAI BRASSWARE CO., LTD.**

No.99 Sec.3 Chang Tsao Rd. Ho Me, Chang Hua, Taiwan

508 台灣彰化縣和美鎮彰草路3段99號

TEL: +886-4-7629971~4

FAX: +886-4-7526980

E-mail: shengtai@ms10.hinet.net

Facebook: www.facebook.com/JUSTIME