

Concealed Shower Mixer
7927-X3-81CP

INTRODUCTION:

Designer observed kinds of organisms to sketch contours of product for expounding orderless growth and concept of meristem. Mixer has been combined with stylish handles and organic spout just like to personally experience the pulsation of life. Movable cartridge structure is not only a good solution, but also additional value of products for consumers.

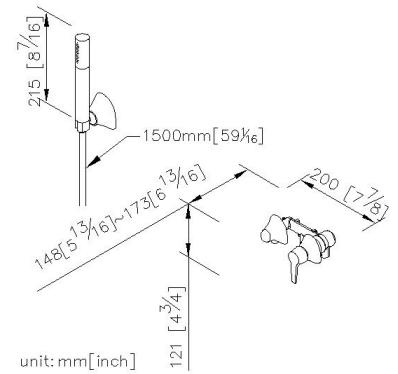
DESCRIPTION:

- 1.Brass of casting body meets JIS 3604 standard.
- 2.Finish meets the standard of ASTM-SC2.
- 3.The body of valve should be buried in the wall beforehand with 1"(2.5cm) adjusting tolerance in depth.
- 4.Ceramic valve with CERAMTEC ceramic disc/(Germany). Ceramic valve lasts 500,000 times lifespan test.
- 5.Thread: G 1/2.
- 6.1.5 meter elastic shower hose can be extended. Shower hose with TPE flexible tube can stand 10Kg/cm² water pressure and 70°C heat.
- 7.The optional check valve and flow restrictor could be added into the handshower.
- 8.Adjustable angle of the hand-shower bracket.

Certification:

Fixing Kits:

- SUS 304 Stainless Steel Screws*2
- Plastic Anchors*2
- Material of Wall Mount Bracket: PC*1



AWARD:

