

Three-Handle Valve (Two Outlets)  
7920-Z2-81CP

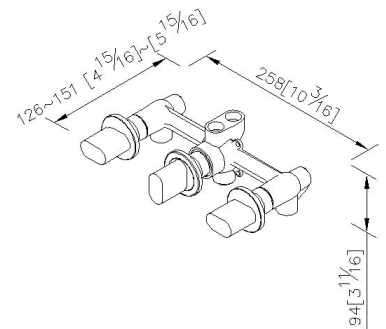
**INTRODUCTION:**

JUSTIME made some transformation in oval to increase a sense of modernity, fitting the fashion of this generation, and adding elegant style into 6920 Series.



**DESCRIPTION:**

1. Casting valve body material meets ISO CuZn40Pb standard.
2. Forging handle material meets JIS 3771 standard.
3. The body of valve should be buried in the wall beforehand with 1"(2.5cm) adjusting tolerance in depth.
4. Chrome plated finish has met the ASTM-SC2 standard.
5. The connecting thread of main body is G 1/2.



unit:mm[inch]

**Certification:**

**Fixing Kits:**

- 1.

**AWARD:**