

INSTALLATION INSTRUCTIONS

Recessed Toilet Seat Cover Dispenser

1. Select proper position for product and mark centers of mounting holes by using a spirit level and refer to the actual product for distance between hole centers.

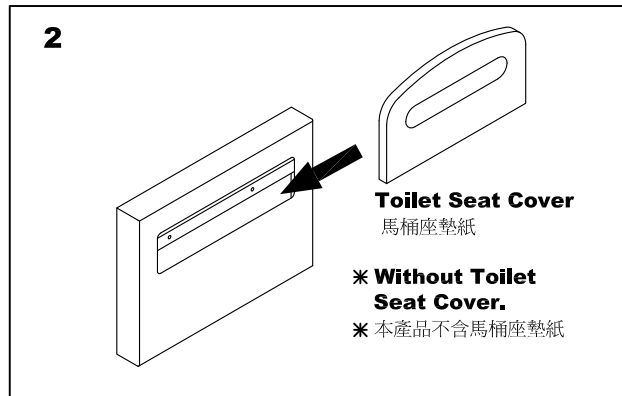
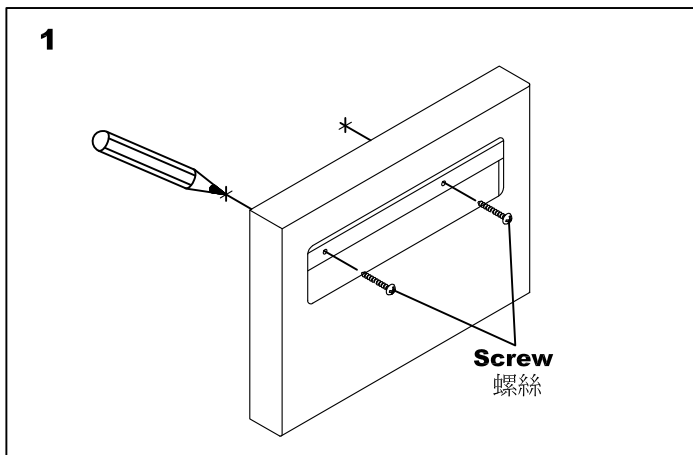
請先選取預定安裝的位置,並在牆壁上畫上預定安裝記號。(如圖1)

2. Fix the **Main Body** on wall with **Screws**.

將掛壁式馬桶座墊紙箱,用螺絲與牆面固定。(如圖1)

3. Fill in the Toilet Seat Cover after installation.

安裝完成之後,將馬桶座墊紙放入即可。(如圖2)



FIXING CONTENTS

組配件內容

