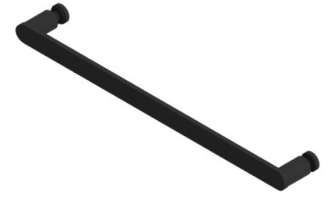


Door Handle

6922-D1-80MA

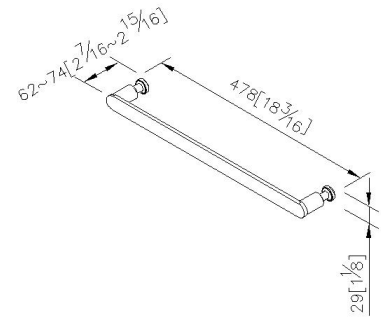
INTRODUCTION:

The bathroom should be a comfortable space that allows people to wash away the fatigue at the end of the day. The simple and elegant accessories harmonize with the leisurely atmosphere of the bathroom, bringing users a quiet and relaxing atmosphere. The oval shape with raised cambered surface is the classic design of Charming Collection; the elaborate design radiates gracefulness throughout the bathroom.



DESCRIPTION:

- 1.Brass of body and handle meet JIS 3604 standard.
- 2.Premium metal construction for durability.
- 3.Justime finishes resist corrosion and tarnish. Product has been designed without joints to make it easy to clean.
- 4.Vertical force could support a static load of 4 Kgf.
- 5.Door handle length between 2 centers is 450mm.
- 6.The door handle is specially designed for the glass, it could provide more convenience and stability during the operation.
- 7.Coordinates with other products in Charming collection.



unit: mm[inch]

Certification:

Fixing Kits:

- 1.N/A

AWARD: