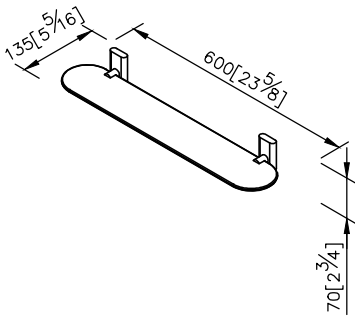


Shelf 6920-70-80CP



1. Brass forging mounting faceplates meet JIS 3771 standard.
2. Brass brackets meet JIS 3604 standard.
3. Chrome plated finish meets the standard of ASTM-SC2.
4. Vertical force could support a static load of 5 Kgf.
5. Clear tempered glass shelf size 600*110*6mm.
6. Coordinates with other products in 6920 collection.

unit: mm[inch]

