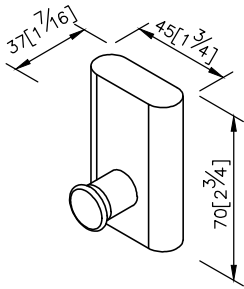
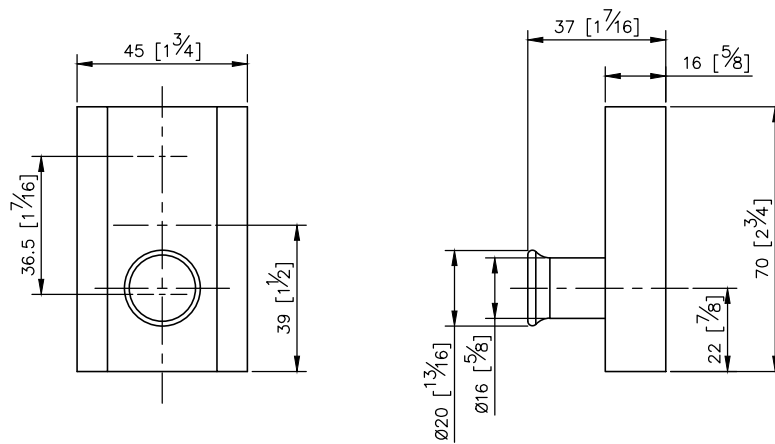
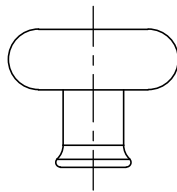


Robe Hook
6920-50-80CP



- 1.Brass hook meets JIS 3604 standard.
- 2.Forging brass faceplate meets JIS 3771 standard.
- 3.Justime finishes resist corrosion and tarnish.
- 4.Chrome plated finish meets the standard of ASTM-SC2.
- 5.Vertical force could support a static load of 5 Kgf.
- 6.Equipped with stainless steel screws to secure installation.
- 7.Coordinates with other products in 6920 collection.

unit: mm[inch]



Mounting Template Specification

