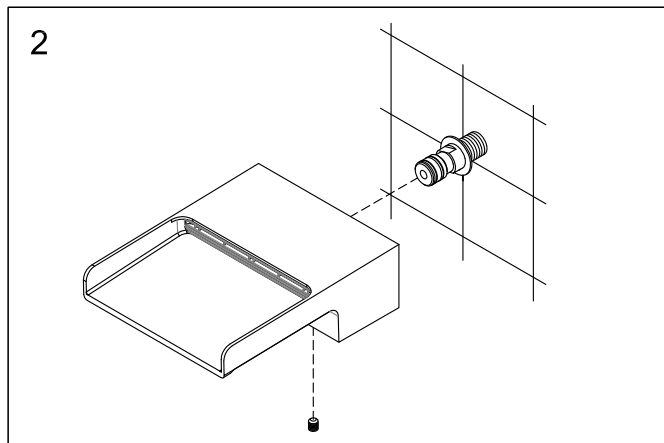
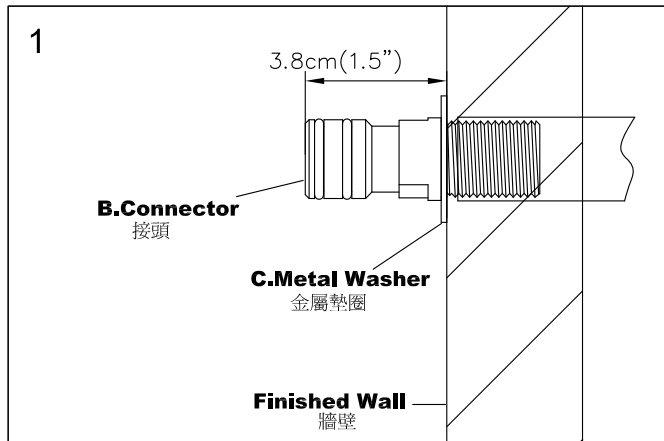


# INSTALLATION INSTRUCTIONS

## Wall-Mounted Spout

### 壁式出水口



#### CAUTION : Prevent The Risk Of Product Damage.

注意：為增加產品使用壽命，請依說明清潔供水管路。

When finished installation, turn the valve on and run for 1 minute before using.

完成安裝後，需在使用前先把供水開關全開排水持續一分鐘。

1. Slide the **Metal Washer** over the **Connector** 1/2" thread end, then apply sealant tape on 1/2" thread and tighten thread into wall-outlet until the **Metal Washer** against the **Finished Wall**. (Please keep the length of external **Connector** be 3.8cm(1.5") if the wall-outlet is larger than the **Metal Washer** which can't serve as a template in this case.)  
將墊圈放置接頭的1/2"牙尾端，並於1/2"牙纏上止瀉帶之後將接頭鎖入牆壁出水口，直至金屬墊圈緊貼於完成牆。(若牆壁出水口開口大於墊圈外徑，墊圈無法作為貼牆基準時，則改以確認牙管凸出於牆面長度為3.8cm(1.5")即可)

2. Slide the **Spout** over the **Connector** and then tighten **Set Screw** to finish installation.  
將本體套入牙管，並用六角扳手(HEX：4mm)鎖緊本體下方埋頭螺絲，完成安裝程序。

## FIXING CONTENTS

### 組配件內容

