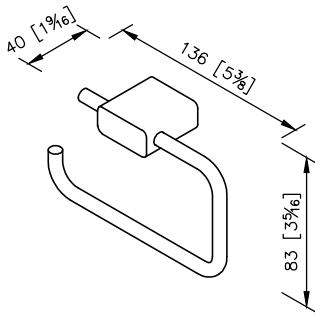
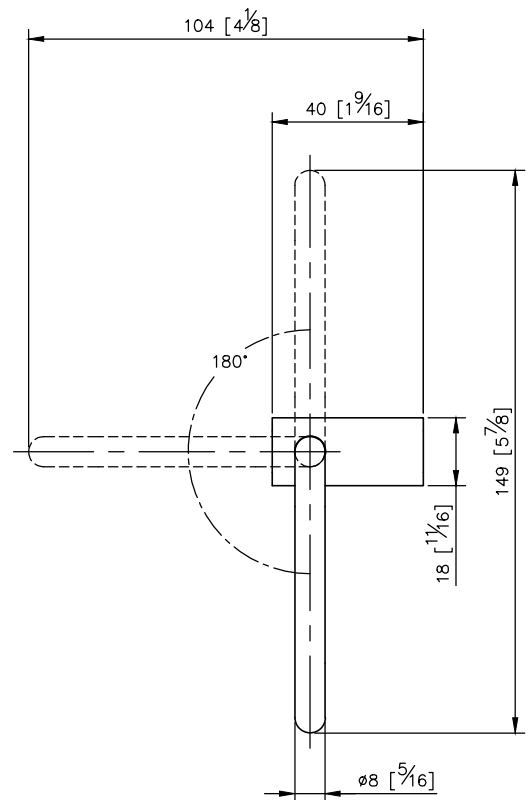
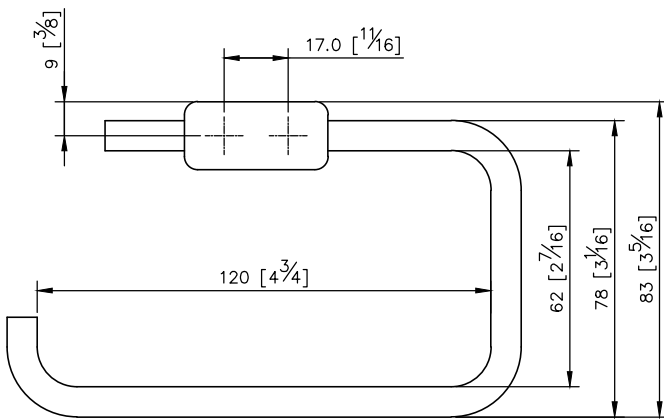
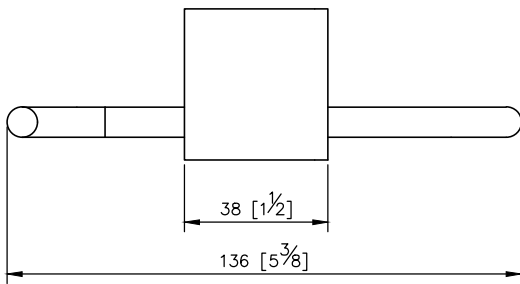


**Toilet Tissue Holder**  
6919-40-80CP



- 1.Brass body and ring meets JIS 3604 standard.
- 2.Premium metal construction for durability.
- 3.Justime finishes resist corrosion and tarnish.
- 4.Chrome plated finish meets the standard of ASTM-SC2.
- 5.Vertical force could support a static load of 5 kgf.
- 6.Coordinates with other products in 6919 collection.

unit: mm[inch]



**Mounting Template Specification**

