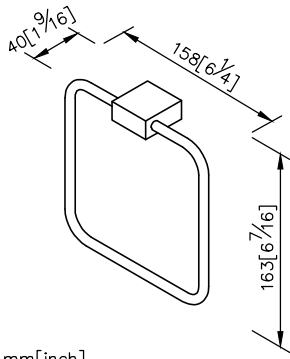
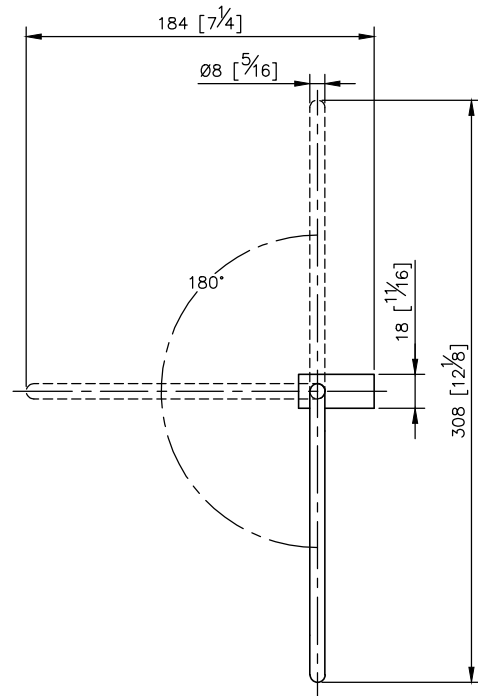
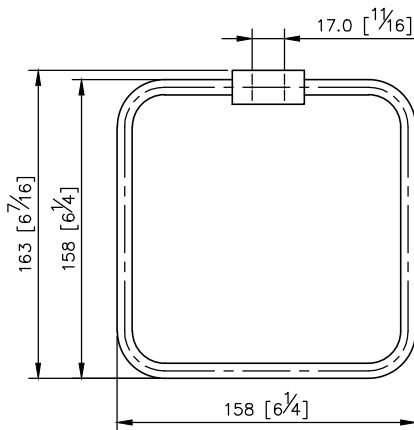
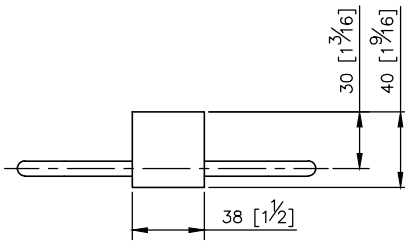


Towel Ring
6918-60-80CP



unit: mm[inch]

- 1.Brass mounting base and towel ring meet JIS 3604 standard.
- 2.Justime finishes resist corrosion and tarnish.
- 3.Chrome plated finish meets the standard of ASTM-SC2.
- 4.Vertical force could support a static load of 4 Kgf.
- 5.The square pedestal of the bathroom accessories could increase the elegance for the environment.
- 6.Coordinates with other products in 6918 collection.



Mounting Template Specification

