

### Toilet Tissue Holder W/Lid 6918-41-80CP

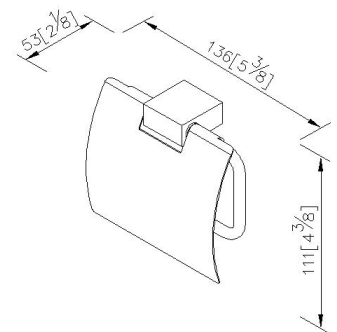
#### INTRODUCTION:

Elongated cuboids become the main design of body, symmetrical lines bring out the harmony of beauty and the simple visualization.



#### DESCRIPTION:

- 1.Brass mounting base and tissue holder ring meet JIS 3604 standard.
- 2.Justime finishes resist corrosion and tarnish.
- 3.Chrome plated finish meets the standard of ASTM-SC2.
- 4.The pedestal could increase the stability for operation.
- 5.Vertical force could support a static load of 5 Kgf.
- 6.Top lid is with stainless steel.
- 7.The square pedestal of the bathroom accessories could increase the elegance for the environment.
- 8.Coordinates with other products in 6918 collection.



unit:mm[inch]

#### Certification:

#### Fixing Kits:

- 1.SUS 304 Stainless Steel Screws\*2
- Hex Key 2.0mm\*1  
Plastic Anchors\*2  
Material of Wall Mount Bracket: Copper JIS3771\*1

#### AWARD: