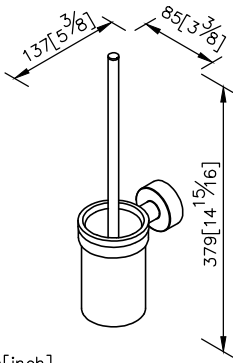
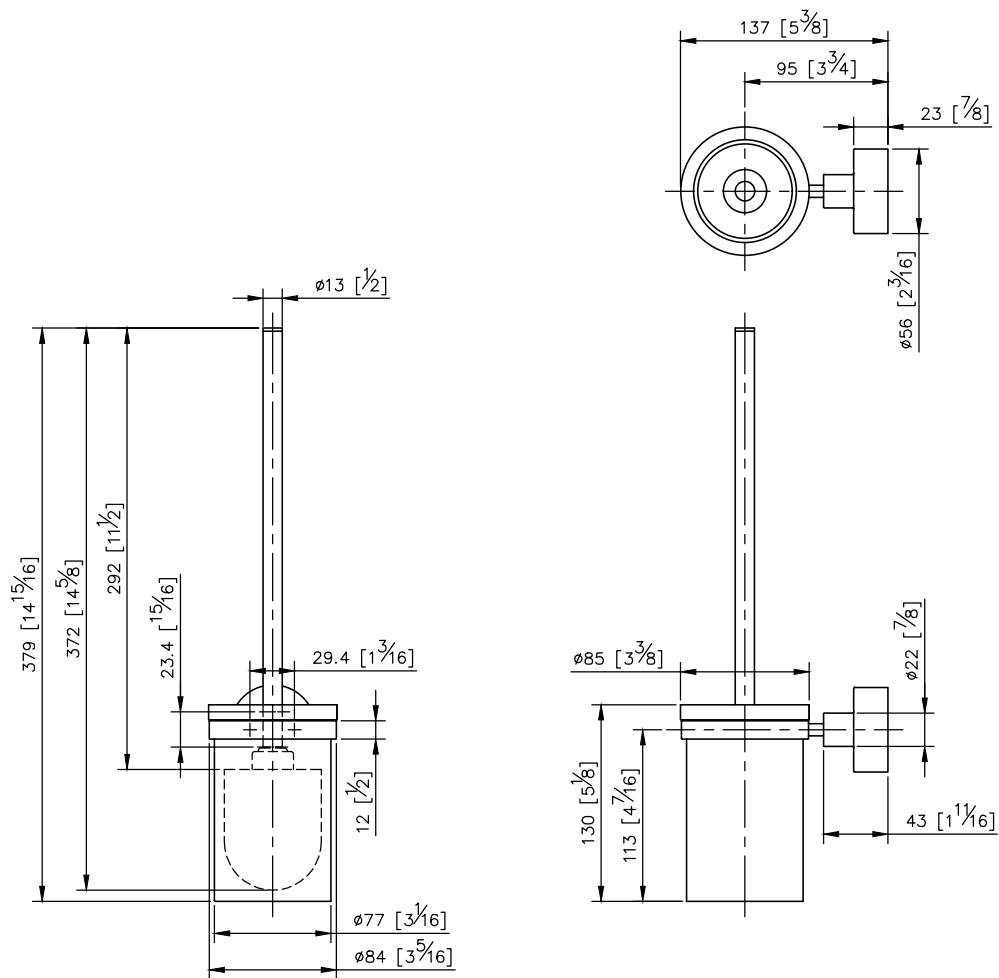


## Toilet Brush Holder 6910-80-80CP



unit: mm[inch]

- 1.Brass of forging body meets JIS 3604 standard.
- 2.Premium metal construction for durability.
- 3.Justime finishes resist corrosion and tarnish.
- 4.Chrome plated finish meets the standard of ASTM-SC2.
- 5.Correctly installed product's loading is 2 Kgf.
- 6.Frosted glass brush holder is easy to be maintained.
- 7.Standard size of brush could be easily replaced to keep clean.
- 8.Coordinates with other products in 6910 collection.



### Mounting Template Specification

