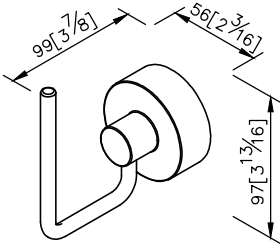
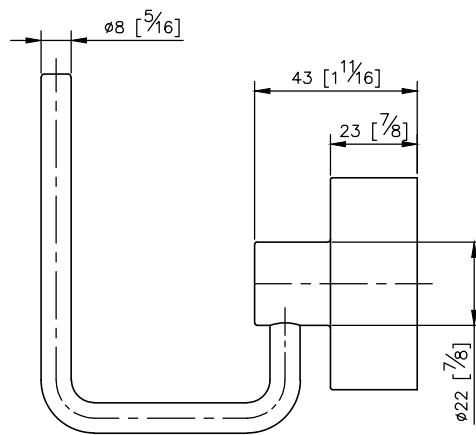
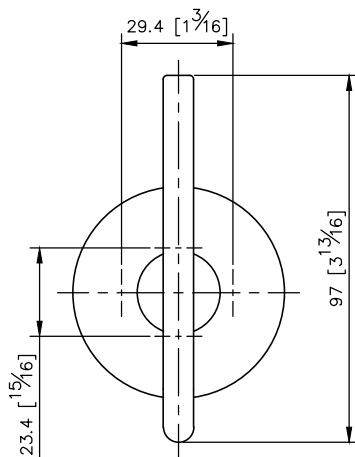
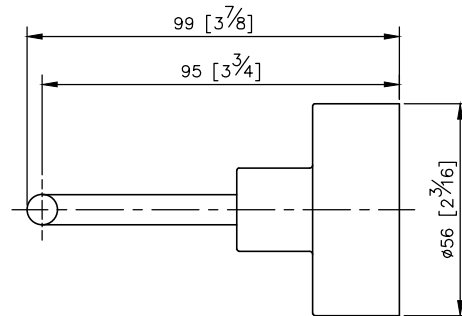


Spare Toilet Tissue Holder 6910-43-80CP



1. Brass forging mounting base meets JIS 3771 standard.
2. Brass ring meets JIS 3604 standard.
3. Brass with chrome plated finish meets the standard of ASTM-SC2.
4. The pedestal could increase the stability for user.
5. Correctly installed product loading is 5 Kgf.
6. The cylinder pedestal of the bathroom accessories could increase the elegance for environment.
7. Coordinates with other products in 6910 collection.

unit: mm[inch]



Mounting Template Specification

