

Soap Dispenser 6910-25-80CP

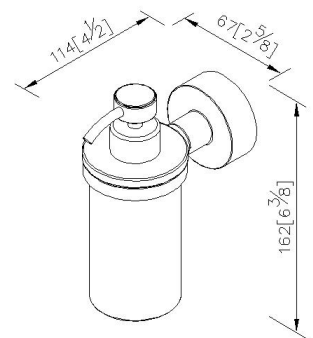
INTRODUCTION:

The dignified design with perfectly round shape displays the extraordinary values under the plain appearance.



DESCRIPTION:

- 1.Brass forging mounting base and ring meet JIS 3771 standard.
- 2.Premium metal construction for durability.
- 3.Justime finishes resist corrosion and tarnish.
- 4.Chrome plated finish meets the standard of ASTM-SC2.
- 5.Frosted glass soap dispenser increases visual softness.
- 6.After well installed holder can load up to 2 kgf.
- 7.Capacity is 180ml.
- 8.Coordinates with other products in 6910 collection.



unit: mm[inch]

Certification:

Fixing Kits:

- 1.SUS 304 Stainless Steel Screws*2
- Hex Key 2.0mm*1
Plastic Anchors*2
Material of Wall Mount Bracket: Steel with zinc plating*1

AWARD: