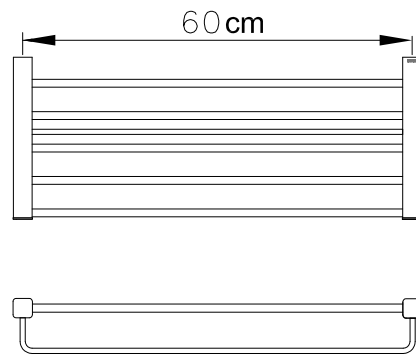
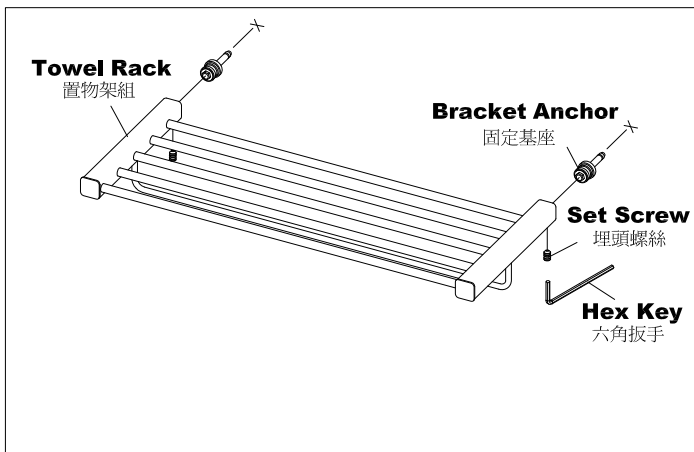
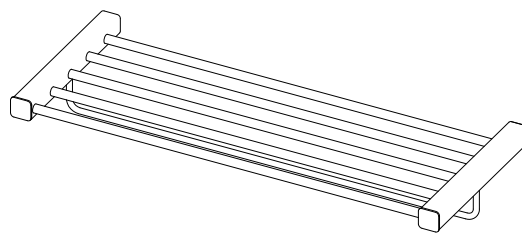


INSTALLATION INSTRUCTIONS

6909-66 置物架安裝說明

1. Select proper position for product and mark centers of mounting holes by using a spirit level and refer to the actual product for distance between hole centers.
請先選取預定安裝的位置，並在牆壁上畫上預定鑽孔記號，確認鑽孔的位置是在同一水平線上，並以產品比對確認鑽孔的距離，如圖示。
2. Using a 8mm drill-bit, drill the hole(s) in marked position(s) to a depth of 4.6cm.
當安裝在水泥牆，使用8mm鑽頭，鑽孔深度4.6公分。
3. Inset the **Bracket Anchor(s)** to the hole(s) on the wall, then tighten the **Bracket Anchor(s)** bolt with wrench.
插入固定基座並使之齊平於牆面，用扳手鎖緊固定基座。
4. Slide the **Towel Rack** over the **Bracket Anchor(s)** and tighten **Set Screws**.
用隨附六角扳手先鬆開本體下方的埋頭螺絲，使置物架能順利套進固定基座後，再鎖緊下方的埋頭螺絲，並確定完成後固定不會搖動。

6909-66
SERIES:



JUSTIME | 巧時代 | ST SHENG TAI BRASSWARE CO., LTD.

www.justime.com

000 | 260809

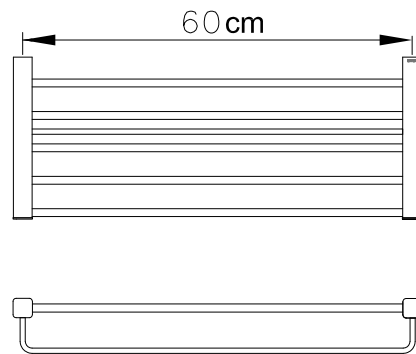
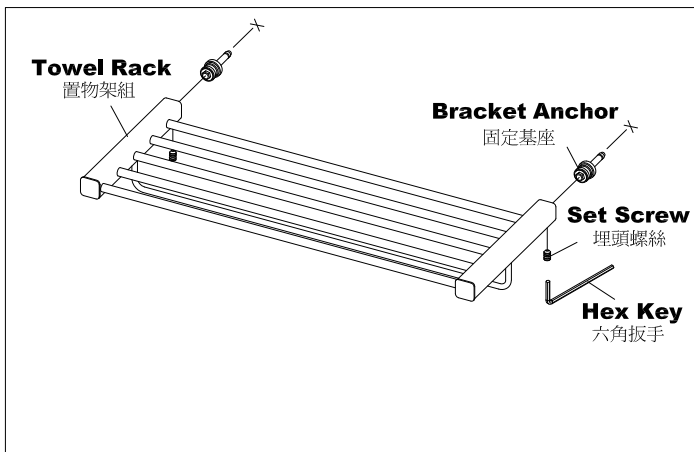
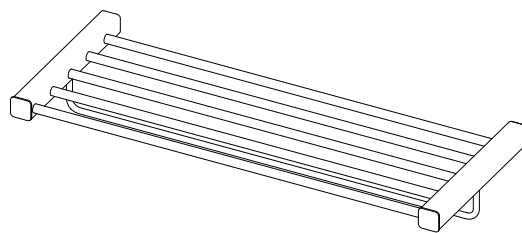
PU69-09-ST66
MADE IN TAIWAN

INSTALLATION INSTRUCTIONS

6909-66 置物架安裝說明

1. Select proper position for product and mark centers of mounting holes by using a spirit level and refer to the actual product for distance between hole centers.
請先選取預定安裝的位置，並在牆壁上畫上預定鑽孔記號，確認鑽孔的位置是在同一水平線上，並以產品比對確認鑽孔的距離，如圖示。
2. Using a 8mm drill-bit, drill the hole(s) in marked position(s) to a depth of 4.6cm.
當安裝在水泥牆，使用8mm鑽頭，鑽孔深度4.6公分。
3. Inset the **Bracket Anchor(s)** to the hole(s) on the wall, then tighten the **Bracket Anchor(s)** bolt with wrench.
插入固定基座並使之齊平於牆面，用扳手鎖緊固定基座。
4. Slide the **Towel Rack** over the **Bracket Anchor(s)** and tighten **Set Screws**.
用隨附六角扳手先鬆開本體下方的埋頭螺絲，使置物架能順利套進固定基座後，再鎖緊下方的埋頭螺絲，並確定完成後固定不會搖動。

6909-66
SERIES:



JUSTIME | 巧時代 | ST SHENG TAI BRASSWARE CO., LTD.

www.justime.com

000 | 260809

PU69-09-ST66
MADE IN TAIWAN