

INSTALLATION INSTRUCTIONS

6909安裝說明

1. Select proper position for product and mark center of mounting hole on wall. For double **Bracket** fixing, mark centers of mounting holes by using a spirit level and refer to the actual product for distance between hole centers.

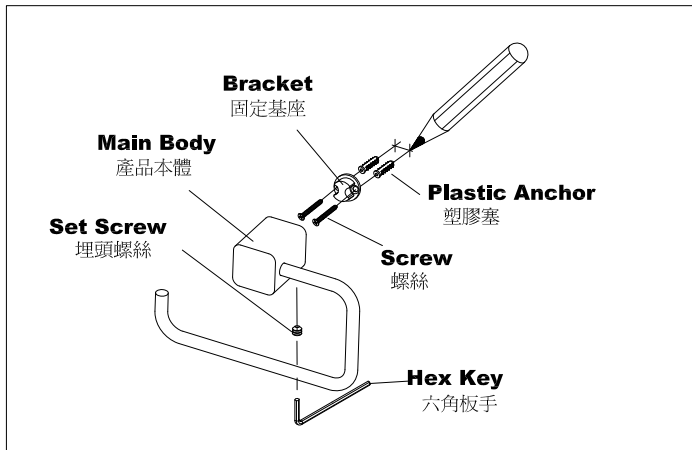
請先選取預定安裝的位置，並在牆壁上畫上預定鑽孔記號。如果要安裝雙背板基座的產品，請先確認鑽孔的位置是在同一水平線上，並以產品比對確認鑽孔的距離。

2. Drill holes in your marked locations. When mounting on drywall, insert **Plastic Anchors**. Attach **Bracket** to wall with **Screws**.

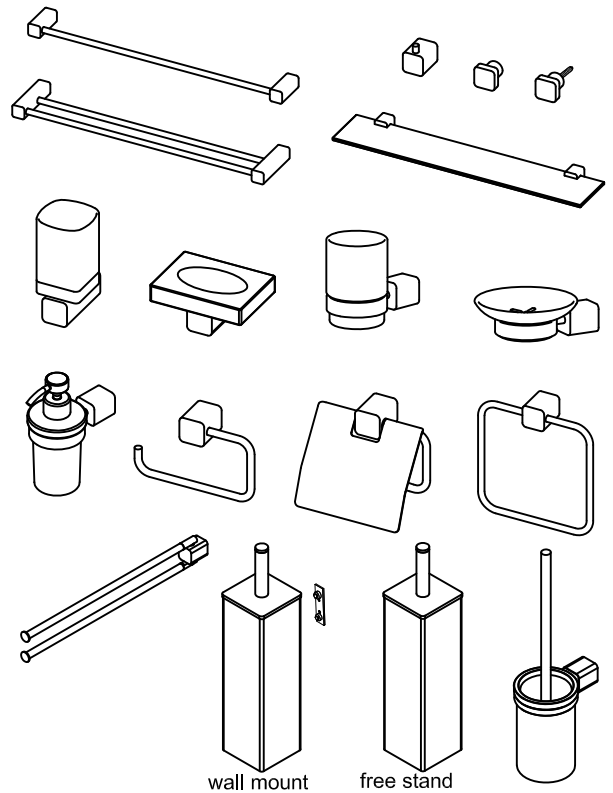
水泥牆在鑽孔後使用隨附的塑膠塞，然後將底座鎖在牆上，並確認已完全固定。

3. Use the **Hex Key** to loosen the **Set Screw** in the **Main Body**. Slide the **Main Body** over the **Bracket** and tighten **Set Screw** ensuring the orientation of the **Main Body** is correct.

用隨附六角扳手先鬆開本體下方的埋頭螺絲，使本體能順利套進固定基座後，再鎖緊下方的埋頭螺絲，完成安裝程序。



6909 SERIES:



INSTALLATION INSTRUCTIONS

6909安裝說明

1. Select proper position for product and mark center of mounting hole on wall. For double **Bracket** fixing, mark centers of mounting holes by using a spirit level and refer to the actual product for distance between hole centers.

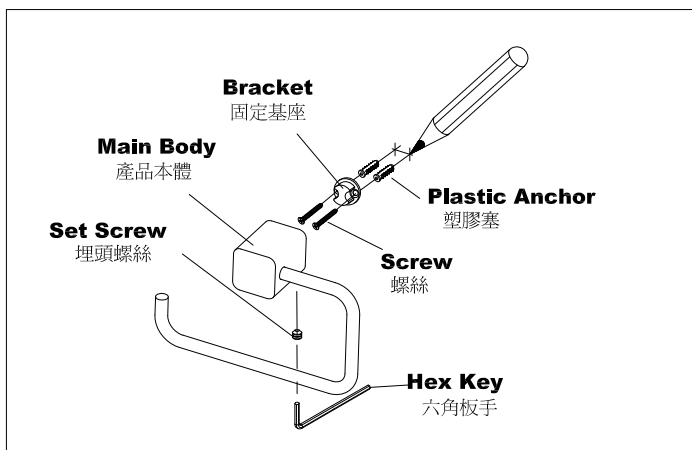
請先選取預定安裝的位置，並在牆壁上畫上預定鑽孔記號。如果要安裝雙背板基座的產品，請先確認鑽孔的位置是在同一水平線上，並以產品比對確認鑽孔的距離。

2. Drill holes in your marked locations. When mounting on drywall, insert **Plastic Anchors**. Attach **Bracket** to wall with **Screws**.

水泥牆在鑽孔後使用隨附的塑膠塞，然後將底座鎖在牆上，並確認已完全固定。

3. Use the **Hex Key** to loosen the **Set Screw** in the **Main Body**. Slide the **Main Body** over the **Bracket** and tighten **Set Screw** ensuring the orientation of the **Main Body** is correct.

用隨附六角扳手先鬆開本體下方的埋頭螺絲，使本體能順利套進固定基座後，再鎖緊下方的埋頭螺絲，完成安裝程序。



6909 SERIES:

