

Zenith 1

Tumbler Holder 6908-30-80CP

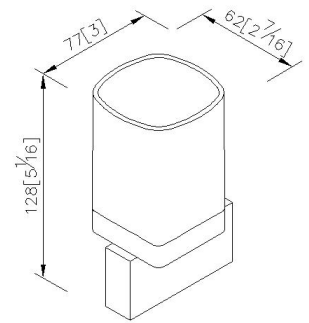
INTRODUCTION:

Elongated cuboids become the main design of body, symmetrical lines bring out the harmony of beauty and the simple visualization.



DESCRIPTION:

- 1.Brass mounting base meets JIS 3604 standard.
- 2.Justime finishes resist corrosion and tarnish.
- 3.Chrome plated finish meets the standard of ASTM-SC2.
- 4.Vertical force could support a static load of 2 Kgf.
- 5.Frosted glass tumbler increases visual softness. With capacity 110ml.
- 6.Coordinates with other products in 6908 collection.



unit: mm[inch]

Certification:

Fixing Kits:

- 1.SUS 304 Stainless Steel Screws*2
- Hex Key 2.5mm*1
Mounting Bracket*1
Plastic Anchors*2

AWARD: