

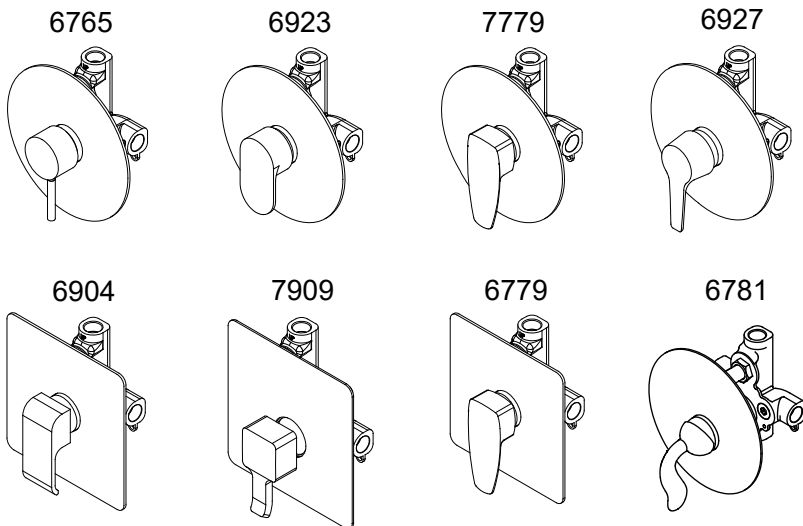
INSTALLATION INSTRUCTIONS

Single-Handle Concealed Valve

壁式單把雙控閥體安裝說明

Applicable Product Number:

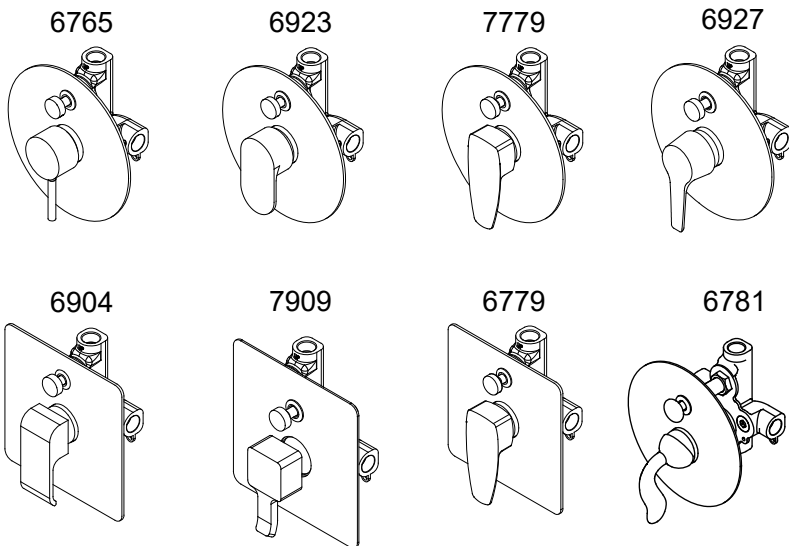
適用產品型號:



Inlet Stop 止水開關	Available Water Pressure 適用水壓	Available For Different Water Pressure 適用各種水壓
W/O Inlet Stop Version 無維修止水開關	6765-XM-80CP 6923-XM-80CP 7779-XM-80CP 6927-XM-80CP 6904-XM-80CP 7909-XM-80CP	6779-XM-80CP 6781-XM-80CP
W/O Inlet Stop Version (Slimmed-Down Valve) 無維修止水開關 (簡易型閥體)	6765-XN-80CP 7779-XN-80CP 6779-XN-80CP	
W/ Inlet Stop Version 有維修止水開關	6765-XP-80CP 6923-XP-80CP 7779-XP-80CP 6927-XP-80CP 6904-XP-80CP 7909-XP-80CP	6779-XP-80CP

Applicable Product Number:

適用產品型號:



Inlet Stop 止水開關	Available Water Pressure 適用水壓		4~6kgf/cm ²	
	1~4kgf/cm ²			
W/O Inlet Stop Version 無維修止水開關	6765-XW-80CP 6923-XW-80CP 7779-XW-80CP 6927-XW-80CP 6904-XW-80CP 7909-XW-80CP	6779-XW-80CP 6781-XW-80CP	6765-XX-80CP 6923-XX-80CP 7779-XX-80CP 6927-XX-80CP 6904-XX-80CP 7909-XX-80CP	6779-XX-80CP 6781-XX-80CP
W/O Inlet Stop Version (Slimmed-Down Valve) 無維修止水開關 (簡易型閥體)	6765-XU-80CP 7779-XU-80CP 6779-XU-80CP		/	
W/ Inlet Stop Version 有維修止水開關	6765-XY-80CP 6923-XY-80CP 7779-XY-80CP 6927-XY-80CP 6904-XY-80CP 7909-XY-80CP	6779-XY-80CP 6781-XY-80CP	6765-XZ-80CP 6923-XZ-80CP 7779-XZ-80CP 6927-XZ-80CP 6904-XZ-80CP 7909-XZ-80CP	6779-XZ-80CP 6781-XZ-80CP

CARE & CLEANING

清潔與保養

CAUTION : This product might be damaged by improper installation, acid cleaning solution, misuse, improper care and cleaning.

1. Always follow the INSTALLATION INSTRUCTIONS provided and use extreme care while installing.
2. Do not use acid cleaning solution or abrasive cleaner (Ex: Hydrochloric acid or toothpaste); test your cleaning solution on an inconspicuous area before applying to the entire surface.
3. Wipe surfaces clean and rinse completely with water immediately after applying cleaner. Do not soak with cleaners. Rinse and dry any overspray that lands on nearby surfaces.
4. Use a dampened sponge or cloth to clean surface. (Do not use abrasive material such as brush or scouring pad.)

注意：此產品有可能因為不當安裝，誤用酸性清潔劑或清潔方式不正確而造成產品受損。

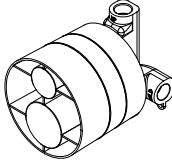
1. 產品安裝時必須依照產品所附的安裝說明和操作方式安裝。
2. 不可使用含有酸性或具研磨效果的清潔劑清洗（例如：鹽酸、牙膏），請先在產品較不顯眼的地方測試您的清潔方法，然後再應用到整個表面。
3. 產品塗佈清潔劑後，應立即擦拭除污，用清水沖洗，並擦乾產品和檯面。切勿讓清潔劑在產品表面浸濕潤漬過久。
4. 請使用濕海綿或乾淨棉布擦拭產品表面。（不可使用會刮傷或具研磨材質的刷子及鋼刷）。

FIXING CONTENTS

組配件內容

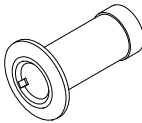
A. Valve Body X 1 (with Sealing Cover)

牆壁內本體(含保護套筒)



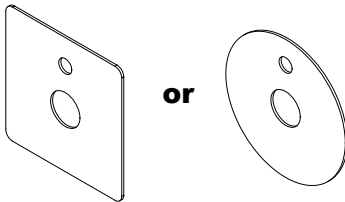
C. Connector X 1

接頭



E. Faceplate X 1

面板



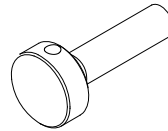
F. C-ring X 2 (Used if Water Pressure <math><1\text{kgf/cm}^2</math>)

C型環(水壓低於 1kgf/cm^2)使用



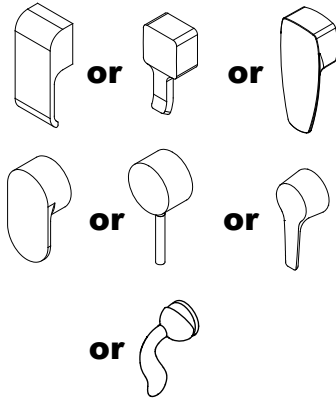
B. Diverter Knob X 1 (with set screw)

拉桿頭(附內六角螺絲)



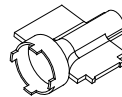
D. Handle X 1 (with set screw)

把手(附內六角螺絲)



G. JUSTIME TOOL X 1

固定鑰匙



FIXING CONTENTS

組配件內容

H. Hex Key (2.5mm) X 1

六角扳手 (2.5mm)



I. Spare M5 Set Screw X 1

內六角螺絲M5(另附備用)



J. Hex Key (2.0mm) X 1

六角扳手 (2.0mm)



K. Spare M3 Set Screw X 1

內六角螺絲M3(另附備用)



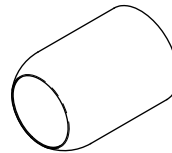
L. Sealing Plug

止水塞頭



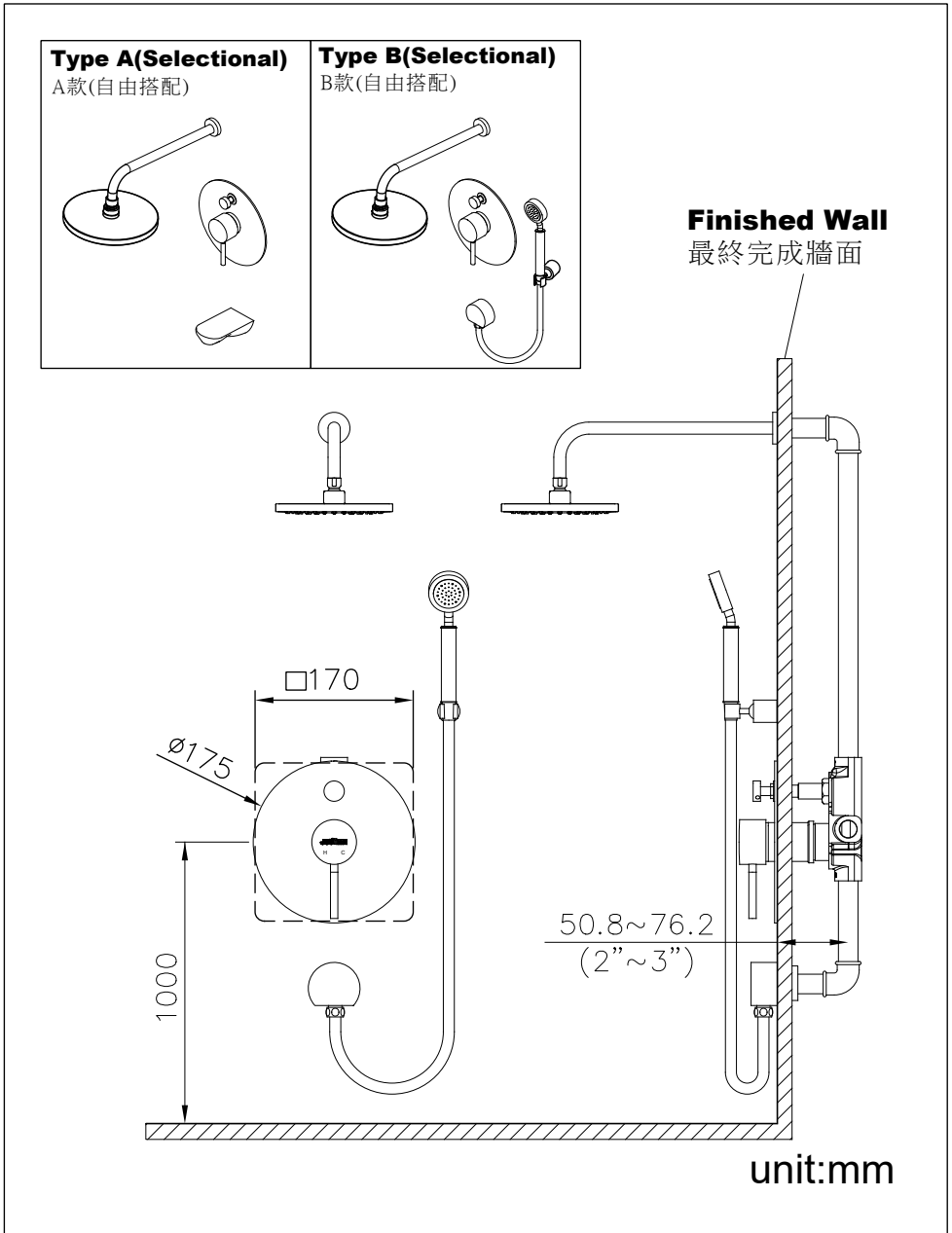
M. Bonnet X 1

半圓蓋



Inside Pipe Arrangement

管路示意圖



INSTALLATION NOTE

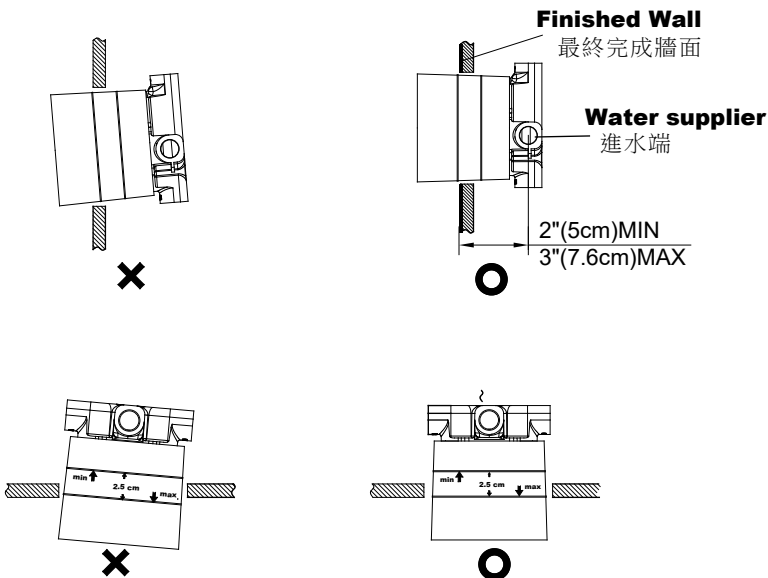
安裝注意事項

⚠ **CAUTION : Please read the following point carefully before Installation.**

1. Keep the **Valve Body** faces horizontal and parallel to the wall that will be finished.
2. Connect hot and cold supplies pipes to the valve body, and keep the distance between 2"(5cm) minimum and 3"(7.6cm) maximum from the finished wall; or keep the distance be 1.34"(3.4cm) to 2.36"(6.0cm) between top of cartridge and **Finished Wall** for necessary conditions.

⚠ 注意：安裝前，請詳閱下列注意事項。

1. 本產品安裝固定閥體於牆壁內側時，閥體需與牆壁保持平行。
2. 進水管中心與最終完成牆面的距離須保持在最小2"(5cm)到最大3"(7.6cm)之間，或陶瓷中心栓與最終完成牆面保持在最小1.34"(3.4cm)到最大2.36"(6.0cm)。



INSTALLATION NOTE

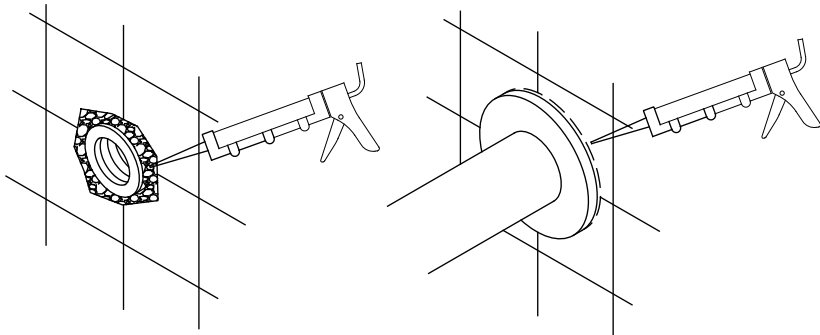
安裝注意事項

⚠ CAUTION : Concealed products need to be waterproof for the gap between the outlet of pipe and opening of wall/floor to prevent water flowing into the gap.

1. Caulk the gap with sealant or silicone.
2. Or seal the edge of decorative faceplate or cover with silicone
3. If the wall/floor is not flat or the gap of tile is big, please help to fill the gap with gap filler or caulking sealant to make decorative faceplate or cover be flat, and then seal the edge of decorative faceplate or cover to be waterproof.

⚠ 注意：壁式產品需在牆壁開孔周圍做好防水，避免水沿著牆壁開孔流入牆壁內側。

1. 在出水管與牆壁之間間隙加入填縫劑或矽利康。
2. 或者用矽利康在牆壁裝飾蓋的周圍做封邊。
3. 若牆壁不平整或磁磚縫隙過大，需用填縫劑將縫隙填平，使面蓋可貼齊牆壁，達到止水效果。



⚠ CAUTION : Prevent the risk of product damage.

1. When finished installation, turn the valve on and run water for 1 minute to remove any debris before using.

⚠ 注意：為增加產品使用壽命，請依說明清潔供水管路。

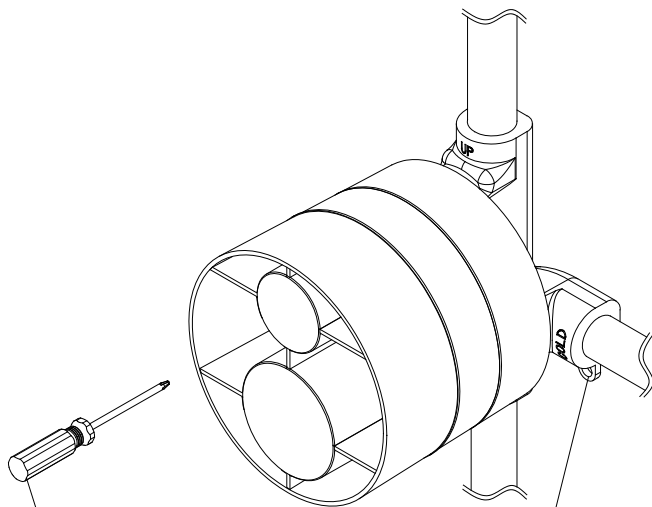
1. 完成安裝後，需在使用前先把供水開關全開排水持續一分鐘，去除雜質，以保持管路清潔。

INSTALLATION INSTRUCTIONS

安裝說明

Check Sealing Cover

檢查保護套筒



Phillips Screwdriver

十字螺絲起子

- * Use **Sealing Cover** to protect the cartridge and thread until install **faceplate&Handle** .

在安裝面板及把手前請全程使用保護套筒保護陶瓷中心栓與螺絲。

- * Use **Phillips Screwdriver** to ensure the Screws have been tightened .

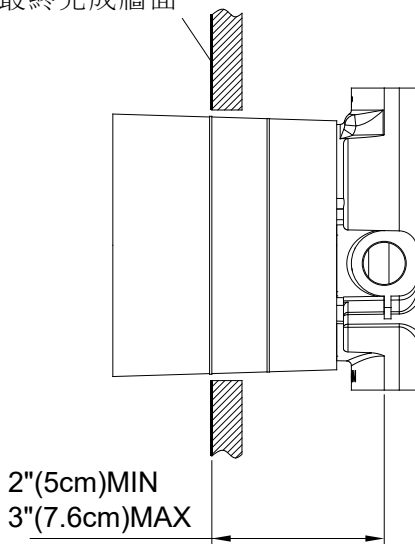
使用十字螺絲起子確認螺絲是否有鎖緊。

Connect Water Pipes

連接水路

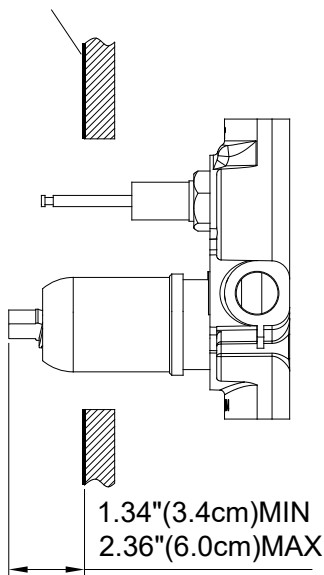
Finished Wall

最終完成牆面



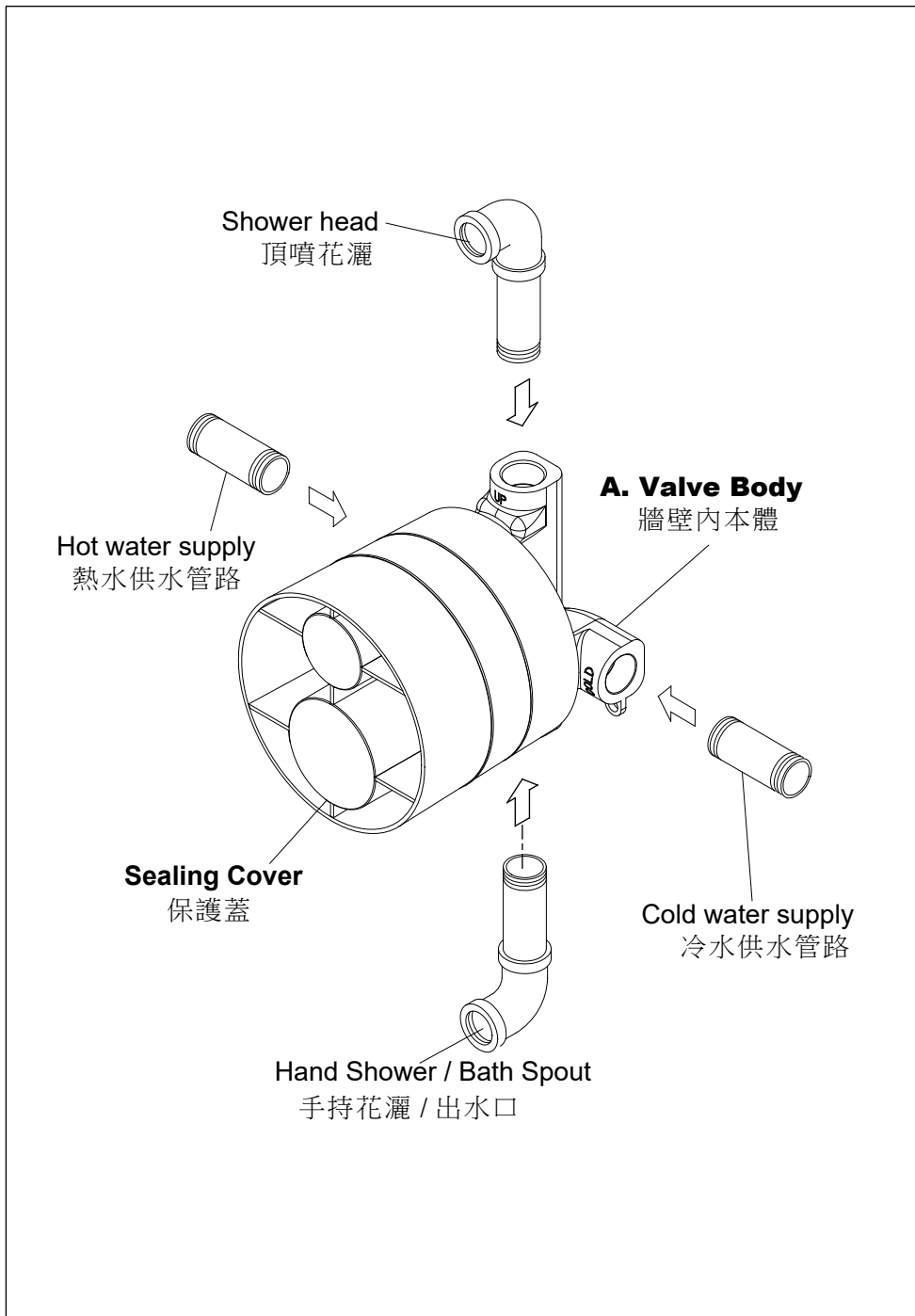
Finished Wall

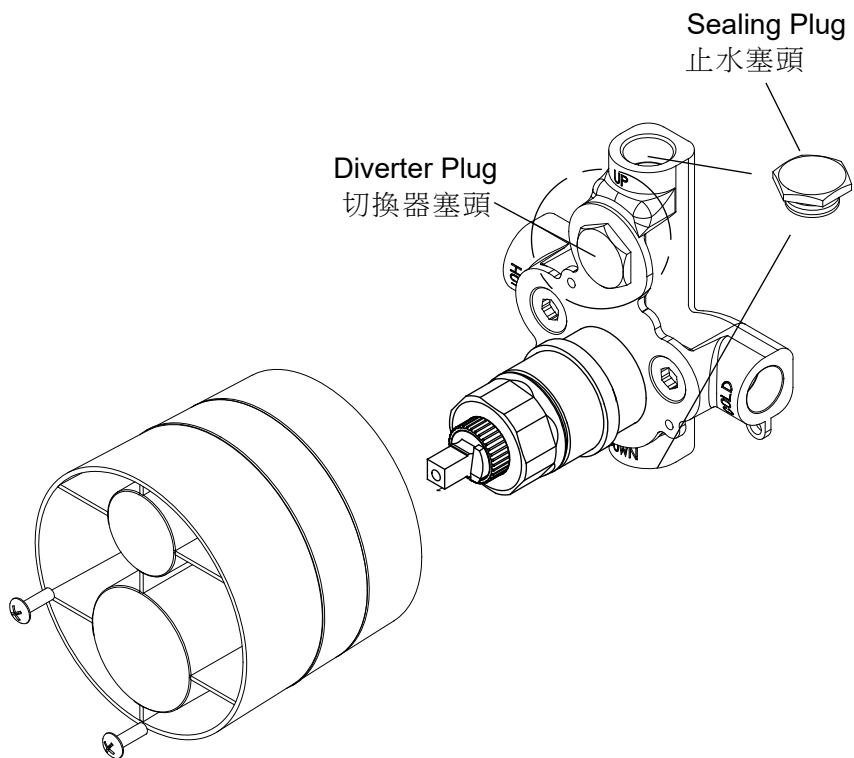
最終完成牆面



- * Connect hot and cold supply pipes to the valve body and meantime install outlet water ways, and keep the distance between 2"(5cm) minmum and 3"(7.6cm) maximum from the finished wall to the valve body; or keep the distance be 1.34"(3.4cm) to 2.36"(6.0cm) between top of cartridge and **Finished Wall** for necessary conditions.

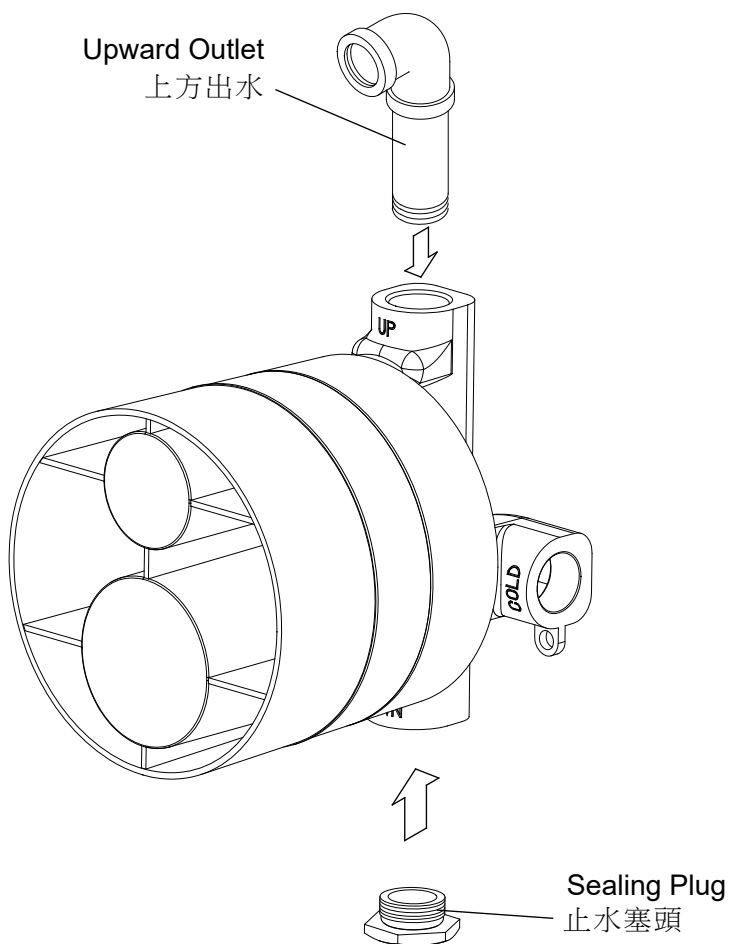
安裝牆壁內本體時需預留的牆壁厚度，牆壁內本體與最終完成牆面的距離須保持在最小2"(5cm)到最大3"(7.6cm)之間，或陶瓷中心栓與最終完成牆面保持在最小1.34"(3.4cm)到最大2.36"(6.0cm)，此為安裝必要條件。





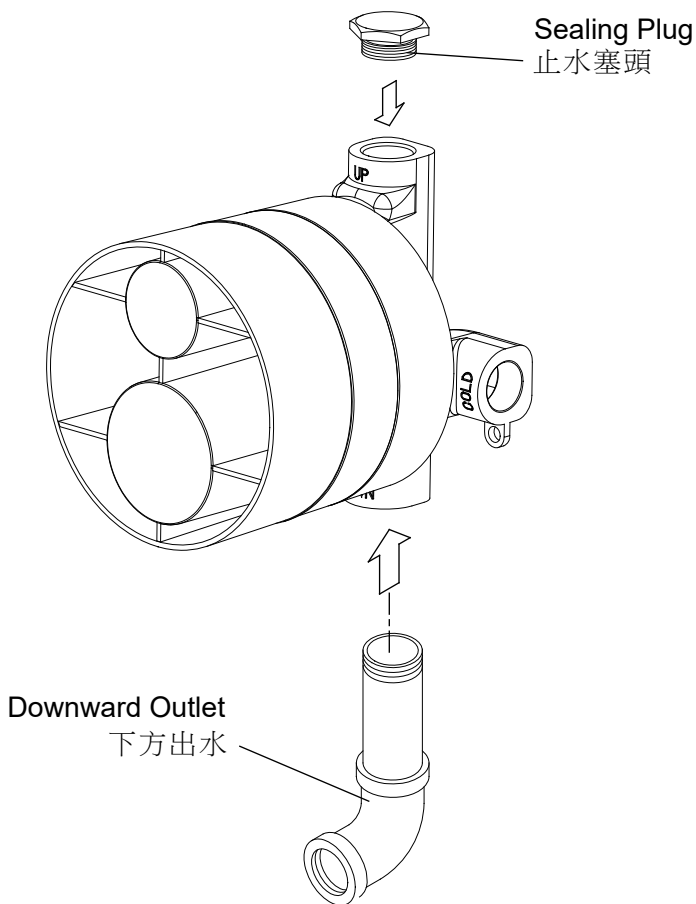
* The Sealing Plug should be used as installing Concealed Mixer Valve (W/O Diverter Version).

安裝無切換器閥體，需選配止水塞頭做安裝使用。



* Installing the Upward Outlet, and screw the Sealing Plug to downward outlet of valve body.

安裝上方出水閥體時，將止水塞頭鎖緊於閥體上方出水端。

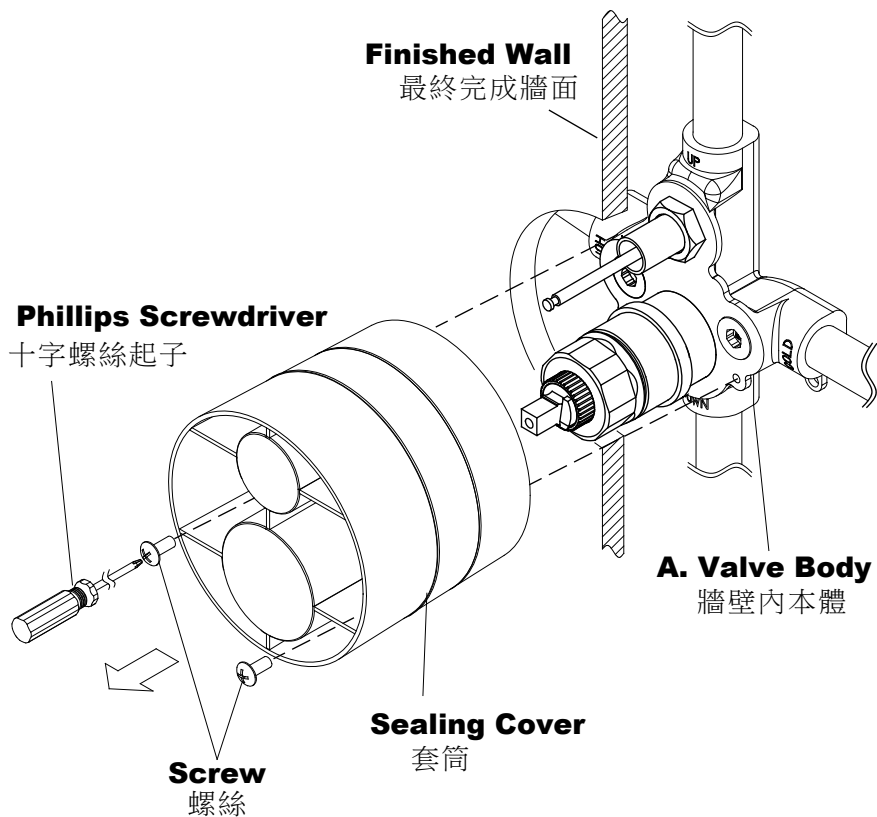


***Installing the Downward Outlet, and screw the Sealing Plug to upward outlet of valve body.**

安裝下方出水閥體時，將止水塞頭鎖緊於閥體上方出水端。

Install Faceplate & Diverter

面板與切換器安裝



* Disassemble the **Screws** with **Phillips Screwdriver** to remove the **Sealing Cover**.

使用十字起子取下固定螺絲*2處，將保護蓋抽出。

Temperature Limit Setting

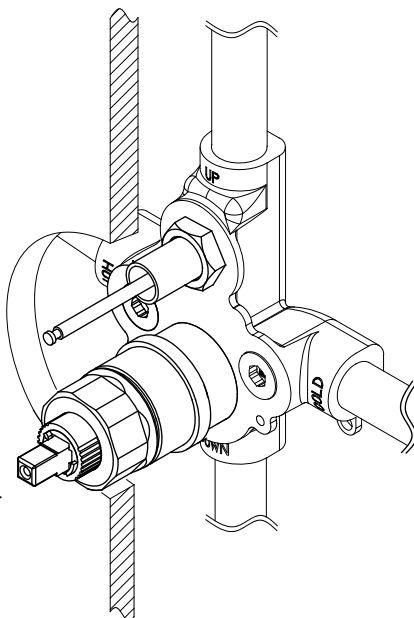
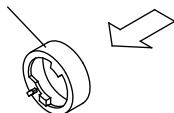
溫度限制設置

This step is only required for products with Temperature Limiter.

有限溫環的產品才需要做此步驟

Temperature Limiter

限溫環



Remove the red Temperature Limiter, and then reinstall according to Operating Instruction.

取下紅色限溫環，然後依限溫環操作說明安裝。

Operating Instructions For Temperature Limiter

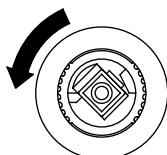
限溫環操作說明

Instruction Figure

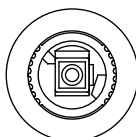
冷熱水說明圖示

Rotate the white square axis to adjust the water temperature.

轉動白色方形軸心，即可調整水溫。



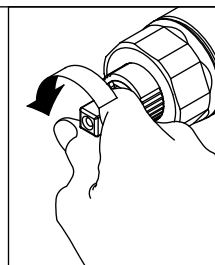
Cold Water 100%
冷水100%



Cold Water 50% & Hot Water 50%
冷水50%，熱水50%

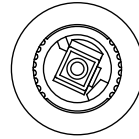


Hot Water 100%
熱水100%



Step 1. Assuming that you want to limit the maximum outlet of hot water to only 75%, you can rotate the white square axis, approximately as shown in the figure.

步驟1. 假設想要限制最高溫度熱水只出75%，可以轉動白色方形軸心，大約如圖示位置。



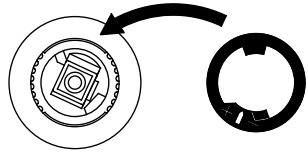
Hot Water 75%
熱水75%

(It is recommended to use a thermometer to measure or actually feel the water temperature with your fingers before making fine adjustments)

(建議用溫度計量測或用手指實際感受水溫再進行微調。)

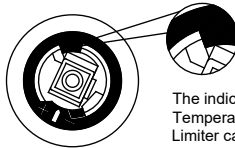
Step 2. Assume that 75% of the hot water is just the highest temperature you want to limit. Put the red Temperature Limiter in this position.

步驟2. 假設熱水75%剛好是你想要限制的最高溫。就在此位置套入紅色限溫環。



Step 3. The position of the stopper of red Temperature Limiter should be aligned with the indication mark of the cartridge, as shown in the figure, and then press the red Temperature Limiter to the end.

步驟3. 紅色限溫環擋塊位置貼齊閥芯的指示標誌，如圖示，然後將限溫環壓到底。



The indicator mark should be aligned with the red Temperature Limiter, and then the Temperature Limiter can be completely sleeved to cartridge.

指示標誌與限溫環貼齊，即可完全套入閥芯。

After the Temperature Limiter is installed, it will be blocked by the Temperature Limiter when the axis turns to the restricted position, and the range of hot water would be limited. As shown in the figure below, hot water can only be up to 75%.

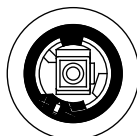
限溫環裝好後，當軸心轉到限制的位置就會被限溫環擋住，熱水可以使用的範圍將被限制。如下圖熱水最多只能出75%。

You can use the above method to adjust the maximum temperature you need.

以此類推，可以用上述的方法調整想要限制的最高溫度。



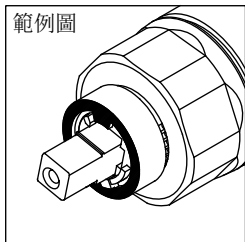
Cold Water 100%
冷水100%



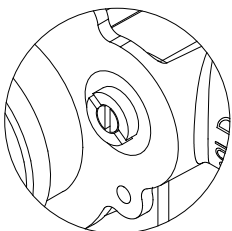
Cold Water 50% & Hot Water 50%
冷水50%，熱水50%



Hot Water 75%
熱水75%



範例圖



W/Inlet Stop Version

附止水閥產品編號

0000-XY-0000

0000-XY-0000

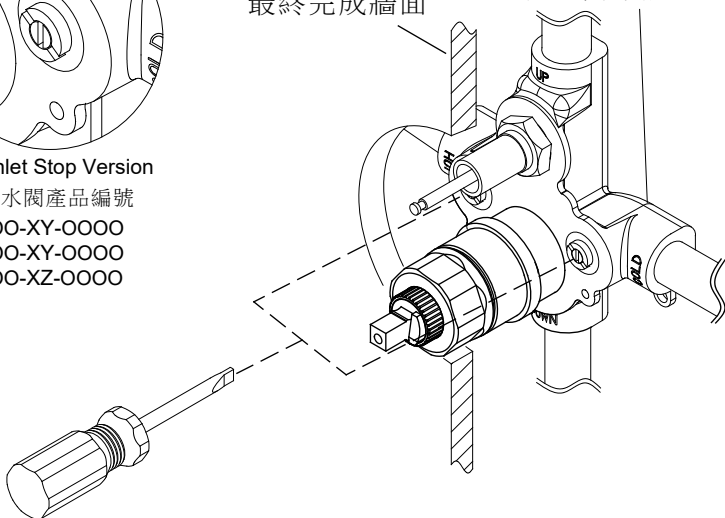
0000-XZ-0000

Finished Wall

最終完成牆面

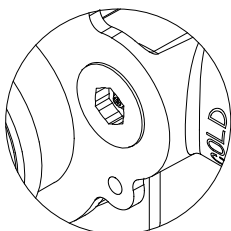
A. Valve Body

牆壁內本體



* Operate the Inlet Stop Valve with Slotted Screwdriver.

使用一字起子可以開關止水閥。



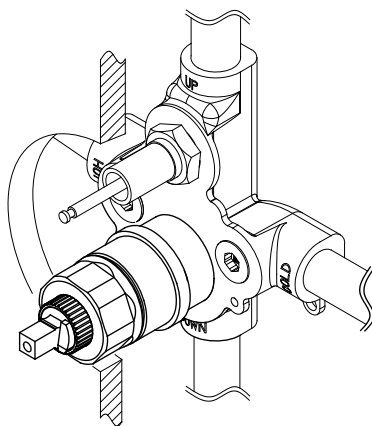
W/O Inlet Stop Version

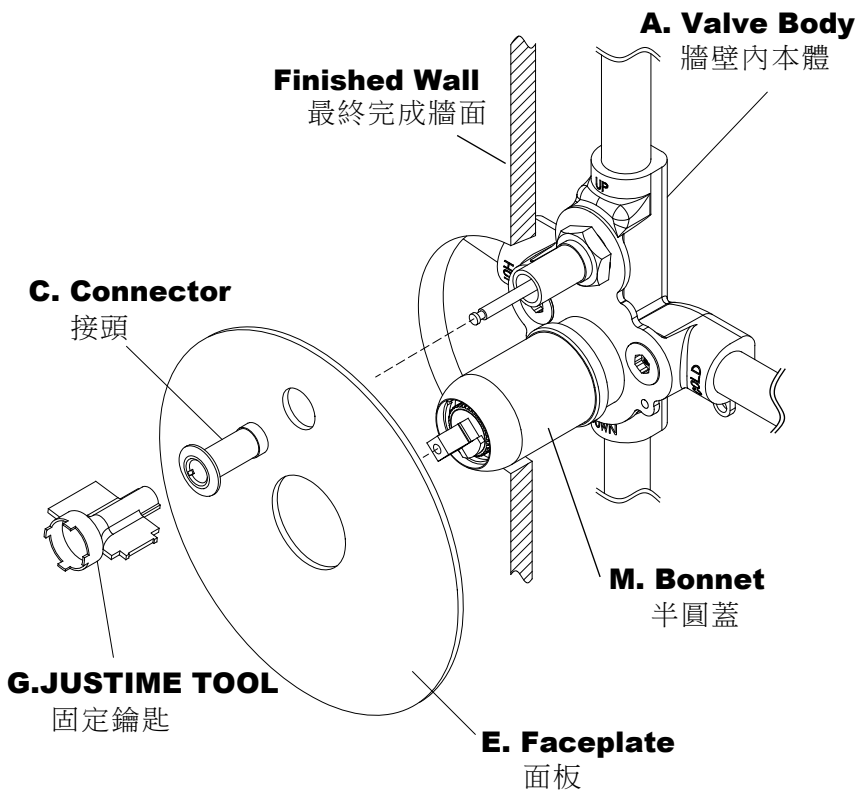
無止水閥產品編號

0000-XM-0000

0000-XW-0000

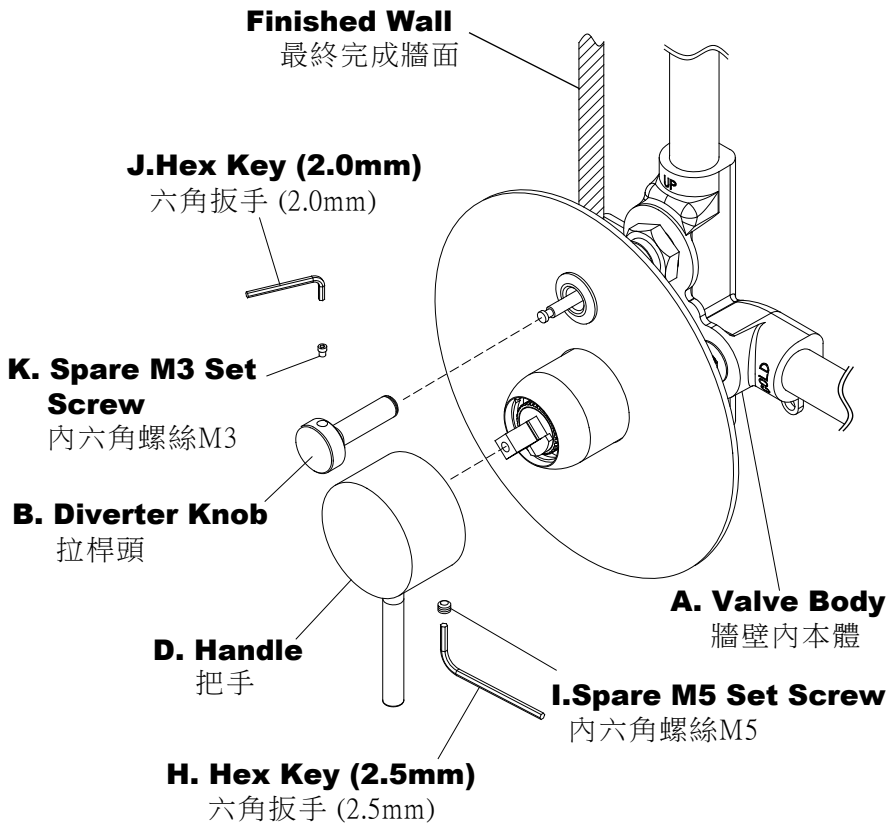
0000-XX-0000





* Install the **Faceplate** to flush with the wall, and tighten the **Connector** with **JUSTIME TOOL**.

安裝面板使其與牆壁完全貼合,使用固定鑰匙將接頭鎖入轉緊。

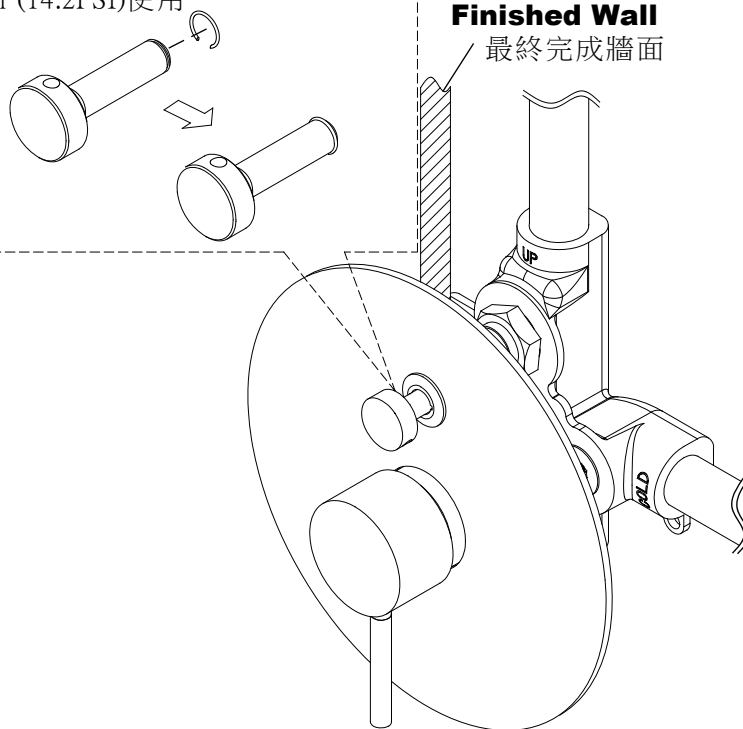


*Screw the **Set Screws** of **Handle** and **Diverter Knob** to the body with **Hex Keys**.

使用六角扳手將拉桿頭與把手固定於本體上。

Special Case
Using the provided C-ring
if the water pressure is under
1kgf/cm²(14.2PSI)

特殊狀況&裝置
附贈C型環水壓低於
1kgf/cm²(14.2PSI)使用



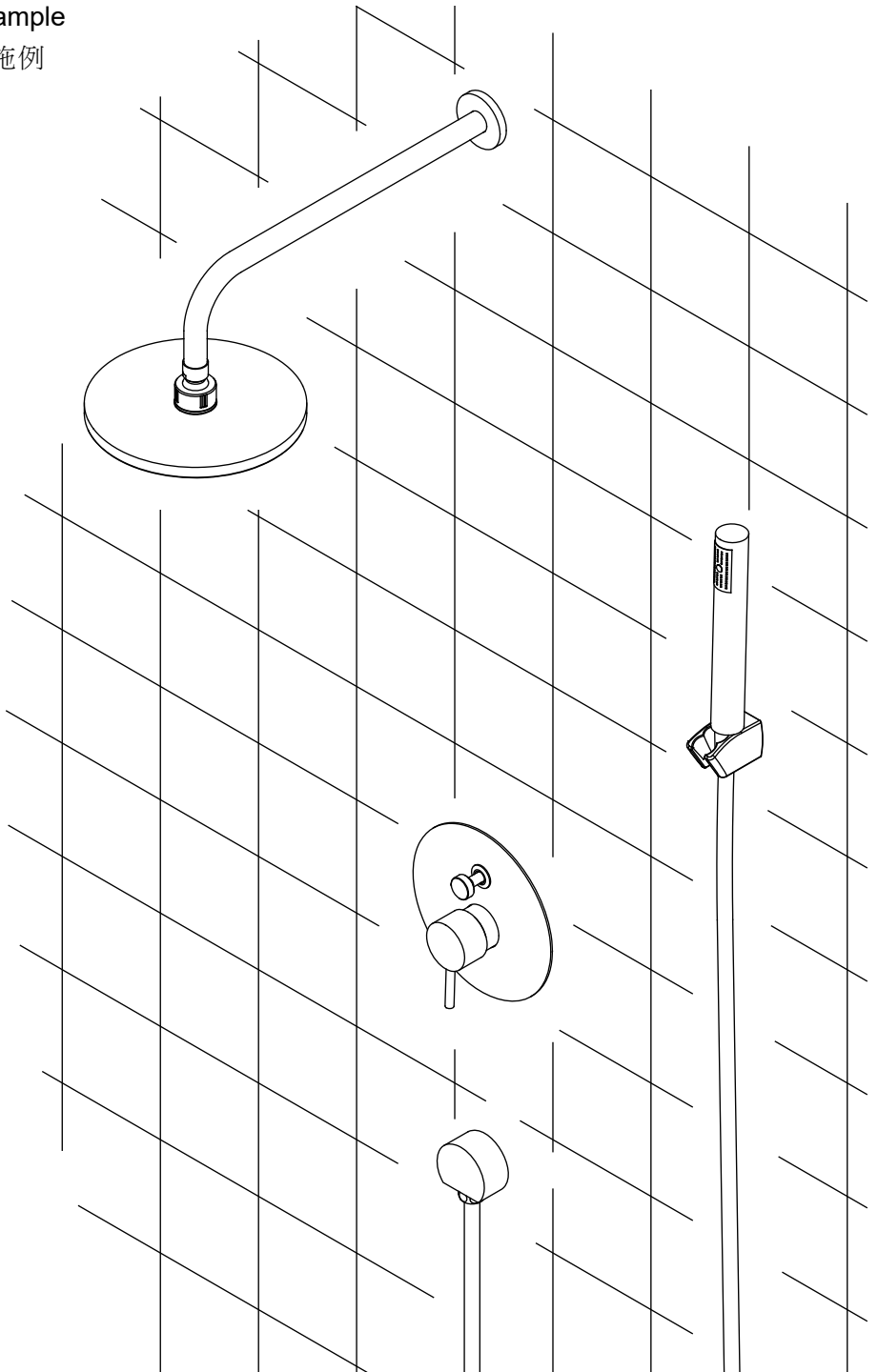
* If the water pressure is too high, please adjust the water flow with Handle to operate the diverter.

如遇到水壓過大,請酌量調整把手出水量,以方便切換扭可正常使用。

* If the Water Pressure is too low to operate the diverter, please use the **C-ring** provided for manual control.

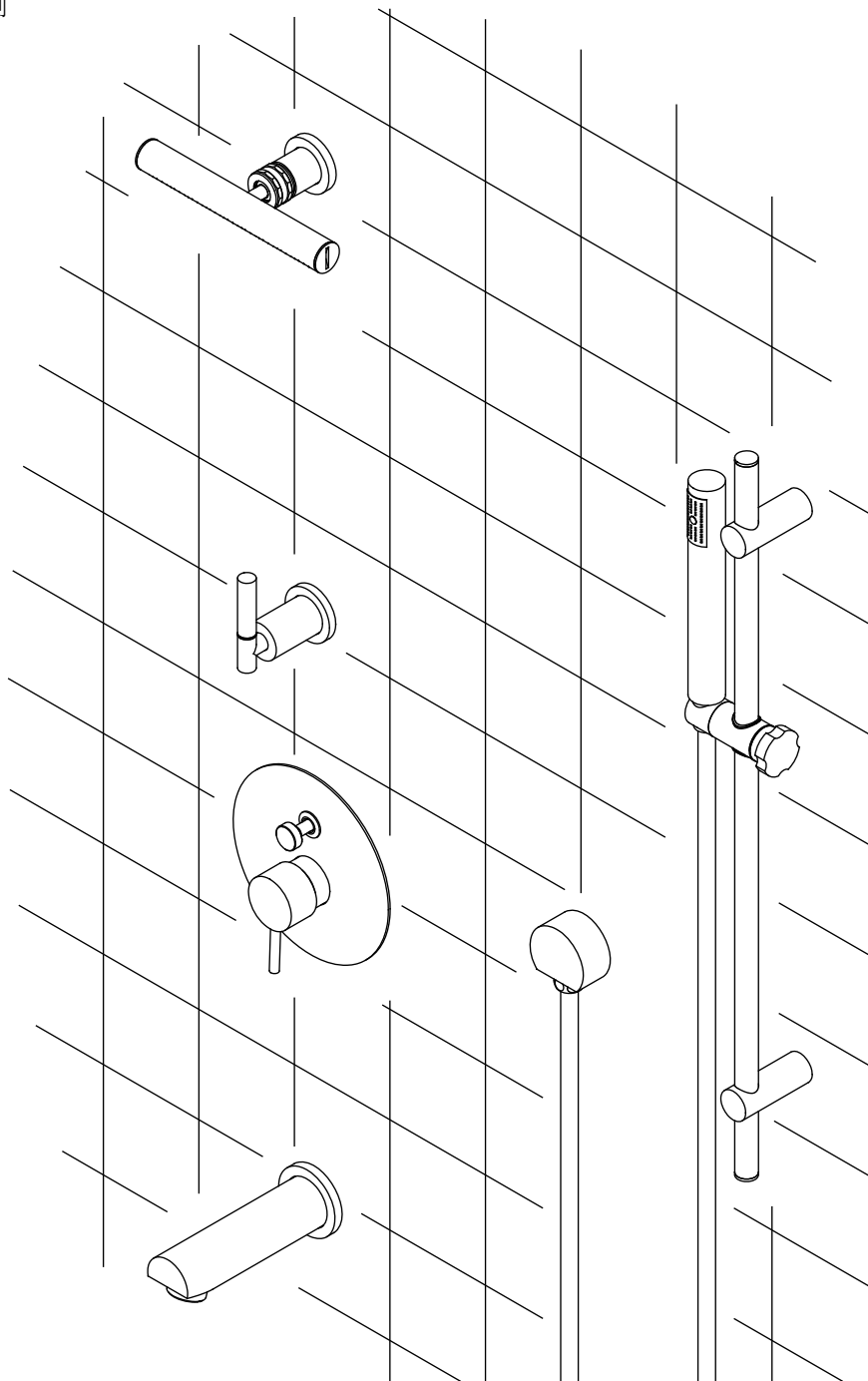
如遇到水壓過低,無法達到自動切換功能時,請裝置附件C型環改為手動控制上下出水。

* Example
實施例



* Example

實施例



WARRANTY

Sheng Tai Co., Ltd. offer a three-year warranty on all of the Faucets & Bathroom Accessories from date of purchasing. The warranty covers any defect in material and workmanship during normal residential use. The following conditions of defect are charged for maintaining.

- Damage caused by accident, misuse, improper care and cleaning.
- Improper using or installation.
- Defects because of the external factors, such as erodent environment (ex. Seashore or mineral spring.), animal bites or dead bug remains in product etc.
- Defect because of sand or impurity stuck in faucet water way.
- Using water not adhered to the regulations of national standard.
- Deficiency caused by freeze.
- Not showing this warranty card.
- Not filling out in the blank of name of customer, date of purchase, cost of purchase, company of installation (retail store) and stamp on warranty card.
- Sheng Tai Co., Ltd. is not responsible for labor charges, installation, or other incidental or consequential costs.

勝泰衛材股份有限公司提供所有的水龍頭及浴室配件，從購買之日起三年保固。保固範圍包括在一般住宅正常使用的期間，發現產品有任何材質和加工上的瑕疵。如瑕疵有下列情形，將收取維修費用。

- 因意外事故、不當操作使用，不當的保養維護和清洗所造成的損害。
- 不當使用或安裝。
- 外在因素造成產品的瑕疵，如易造成侵蝕的環境（如濱海或溫泉地區）、動物嚙咬或昆蟲屍體存在於產品內造成的損壞。
- 因砂子或雜質卡住水龍頭水路造成的損壞。
- 沒有依循國家標準的規定使用水源造成的損壞。
- 因冰凍造成的水量不足。
- 未出示此保固卡。
- 未在空白處填寫客戶名稱，購買日期，購買成本，安裝公司（零售商店），及保證卡上未蓋章。
- 勝泰衛材股份有限公司不負責工人費用，安裝，或其他附帶或間接產生的費用。

Customer	Name		Tel	
	Address			
Product	Serial No.		Name	
	Warranty	Three year from date of purchase.		
Purchase place	Store		Tel	
	Address			
Purchase Date				
Purchase Price				

JUSTIME
www.justime.com

SHENG TAI BRASSWARE CO., LTD.

No.99 Sec.3 Chang Tsao Rd. Ho Me, Chang Hua, Taiwan

508 台灣彰化縣和美鎮彰草路3段99號

TEL: +886-4-7629971~4

FAX: +886-4-7526980

E-mail: shengtai@ms10.hinet.net

Facebook: www.facebook.com/JUSTIME