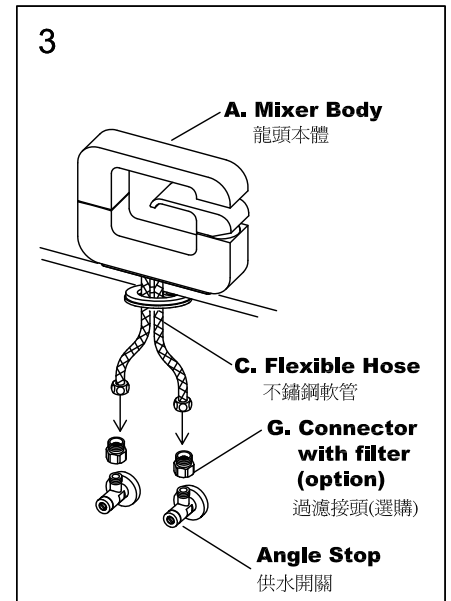
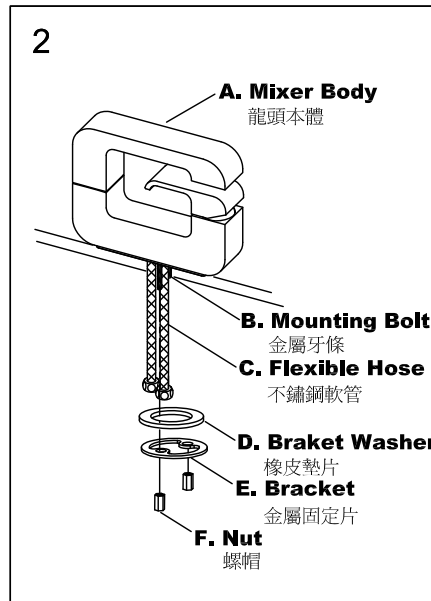
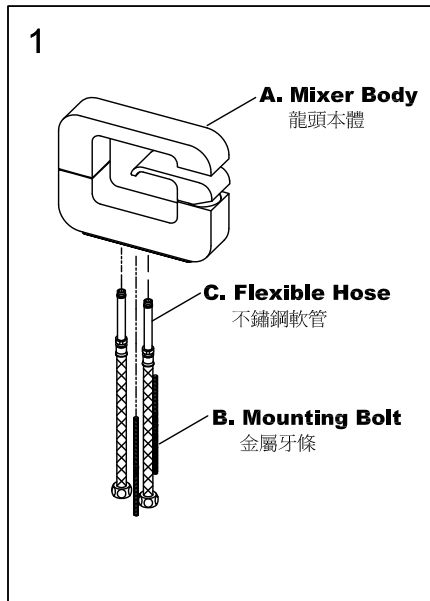


INSTALLATION INSTRUCTIONS

Rim-Mounted Bath Mixer 浴缸龍頭安裝說明

PATENT NUMBER:
專利號碼:
001018899-0005
D129784
ZL 2008 3 0257797.9



CAUTION : Risk Of Product Damage.

注意：為增加產品使用壽命，請依說明清潔供水管路。

a./ Turn the angle stops (water suppliers) on and run for 1 minute before connect supply hose (flexible hose) to faucet body. or b./

安裝編織管之前，先把供水開關全開排水一分鐘。或 b./

b./ Connect and tighten the faucet and angle stops with supply hose (flexible hose) to finish installation, then remove the aerator, fully turn on the hot and cold water valves on faucet and run for 1 minute, then turn off the water and reinstall the aerator.

把龍頭、供水開關及編織管接好並鎖緊之後，把起泡器移開，把熱水及冷水全部轉開一分鐘，然後把水關掉再把起泡器裝回去。

1. Screw **Flexible Hoses** and **Mounting Bolts** into the end of **Faucet Body**, then insert **Flexible Hoses** and **Mounting bolts** through hole in fixture.
將冷熱進水不鏽鋼軟管和金屬牙條鎖緊固定於龍頭本體，再將冷熱進水不鏽鋼軟管和金屬牙條穿過檯面洞口後，準備安裝。
2. Place **Bracket** with **Bracket Washer** and **Nut** onto **Mounting Bolts**, then tighten **Nut** securely.
從金屬牙條下方依序套入橡皮墊片、金屬固定片和螺帽，確認方向位置後，鎖緊螺帽固定龍頭即可。
3. Connect Hot & Cold **Flexible Hoses** to angle stops.
連接冷熱進水不鏽鋼軟管到供水開關，確認完成安裝程序。

FIXING CONTENTS

組配件內容

