

## Parallel

### Towel Bar 6893-10-80SS

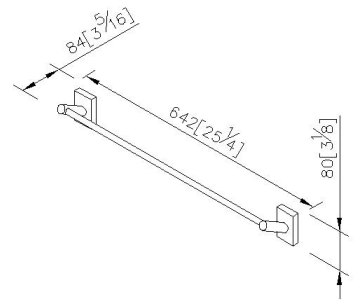
#### INTRODUCTION:

Incepted imitation of traditional brick for the main shape, the precise section and brushed surface display elegant demeanor.



#### DESCRIPTION:

- 1.Brass forging faceplate meets JIS 3771 standard.
- 2.Brass bracket meets JIS 3604 standard.
- 3.Towel bar meets SUS 304 standard.
- 4.Towel bar is with brushed finish, which is easy to maintain with a scouring pad.
- 5.Vertical force could support a static load of 4 Kgf.
- 6.Coordinates with other products in 6893 collection.



unit: mm[inch]

#### Certification:

#### Fixing Kits:

- 1.SUS 304 Stainless Steel Screws\*4
- Plastic Anchors\*4
- Material of Wall Mount Bracket: Steel with zinc plating\*2

#### AWARD: