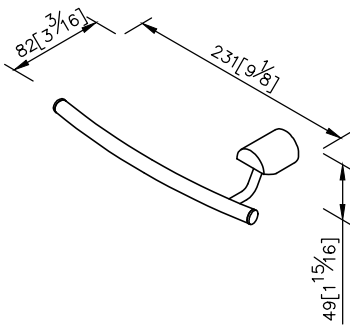


**Towel Ring**  
6892-60-80CP



- 1.Brass forging mounting base meets JIS 3771 standard.
- 2.Brass body and towel bar meet JIS 3604 standard.
- 3.Brass towel ring meets JIS C2700 standard.
- 4.Chrome plated finish meets the standard of ASTM-SC2.
- 5.The cylinder pedestal of the bathroom accessories could increase the elegance for environment.
- 6.Vertical force could support a static load of 4 Kgf.
- 7.Coordinates with other products in 6892 collection.

unit: mm[inch]

