

## Soap Dispenser

### 6892-25-80CP

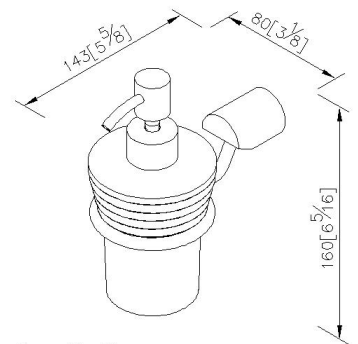
#### INTRODUCTION:

The main base has been designed with geometrical shape and curved rods, which brings the warm and comfortable atmosphere for bathroom.



#### DESCRIPTION:

- 1.Brass forging mounting base meets JIS 3771 standard.
- 2.Brass body and supporting ring meet JIS 3604 standard.
- 3.Justime finishes resist corrosion and tarnish.
- 4.Chrome plated finish meets the standard of ASTM-SC2.
- 5.Vertical force could support a static load of 2 Kgf.
- 6.Frosted white glass soap dispenser. Capacity: 200ml.
- 7.Coordinates with other products in 6892 collection.



unit: mm[inch]

#### Certification:

#### Fixing Kits:

- 1.SUS 304 Stainless Steel Screws \*2
- Hex Key 1/8" \*1
- Plastic Anchors \*2

#### AWARD: