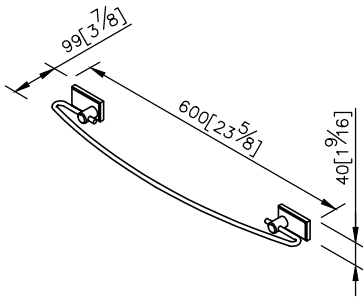


**Towel Bar**  
6891-10-80CP



1. Brass forging faceplate meets JIS 3771 standard.
2. Towel bar brass material meets JIS 3604 standard.
3. Justime finishes resist corrosion and tarnish.
4. Chrome plated finish meets the standard of ASTM-SC2.
5. Vertical force could support a static load of 4 Kgf.
6. Coordinates with other products in 6891 collection.

unit: mm[inch]

