

## Toilet Brush Holder 6880-80-80CP

### INTRODUCTION:

The toilet brush set saves households from purchasing complicated accessories, and provides the integrated product to the user. The durable characteristics are more valuable. The frosted glass is strong and rigid, and it is not easy to breed germs; the chrome-plated brush handle has both the advantages of strength and lightness, making the product more durable.

### DESCRIPTION:

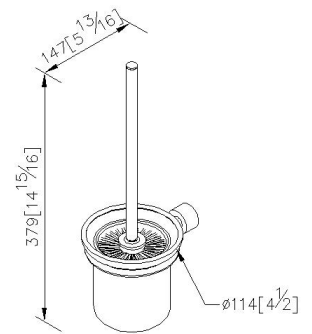
- 1.Brass of brush holder ring and cylinder meet JIS 3604 standard.
- 2.Brass forging mounting base meets JIS 3771 standard.
- 3.Justime finishes resist corrosion and tarnish.
- 4.Chrome plated finish meets the standard of ASTM-SC2.
- 5.Vertical force could support a static load of 2 Kgf.
- 6.Frosted brush glass holder is easy to be maintained.
- 7.Standard size of brush could be easily replaced to keep clean.
- 8.Coordinates with other products in 6880 collection.

### Certification:

### Fixing Kits:

- SUS 304 Stainless Steel Screws \*2
- Hex Key 1/8" \*1
- Plastic Anchors \*2

### AWARD:



unit: mm[inch]