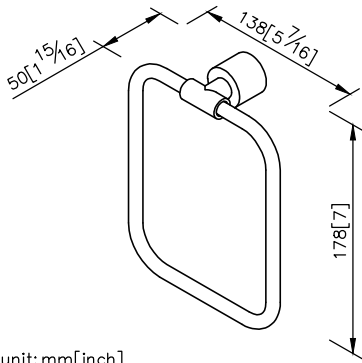
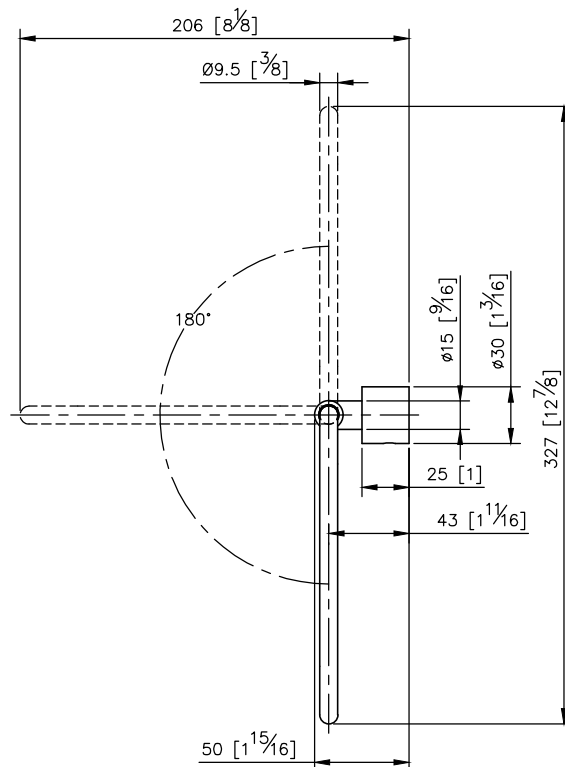
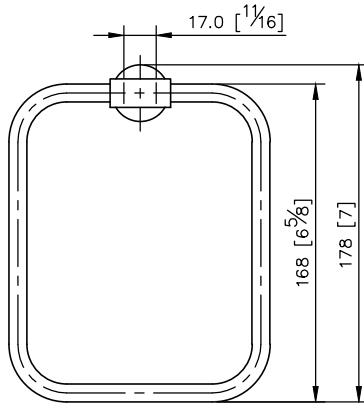
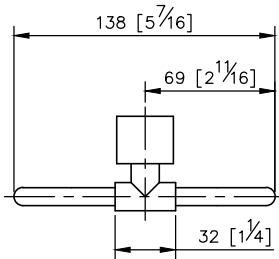


Towel Ring
6880-60-80CP



unit: mm[inch]

- 1.Brass of forging mounting base and bracket meet JIS 3771 standard.
- 2.Brass cylinder and towel ring meet JIS 3604 standard.
- 3.Justime finishes resist corrosion and tarnish.
- 4.Chrome plated finish meets the standard of ASTM-SC2.
- 5.Vertical force could support a static load of 4 Kgf.
- 6.Coordinates with other products in 6880 collection.



Mounting Template Specification

