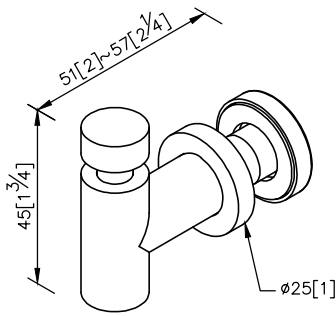


Through-Glass Robe Hook 6880-5G-81CP



- 1.Brass of mounting base and hook meet JIS 3604 standard.
- 2.Brass of forging bracket meets JIS 3771 standard.
- 3.Justime finishes resist corrosion and tarnish.
- 4.Chrome plated finish meets the standard of ASTM-SC2.
- 5.Vertical force could support a static load of 5 Kgf.
- 6.The robe hook is specially designed for the glass partition, it could provide more stability during the operation.
- 7.Coordinates with other products in 6880 collection.

unit:mm[inch]

