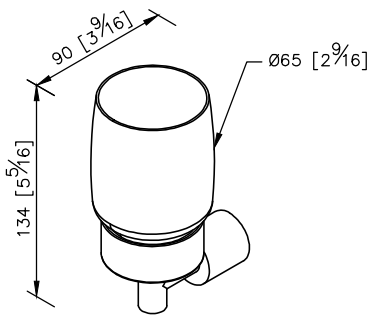


Tumbler Holder
6880-30-80CP



- 1.Brass of forging mounting base and bracket meet JIS 3771 standard.
- 2.Brass cylinder meets JIS 3604 standard.
- 3.Justime finishes resist corrosion and tarnish.
- 4.Chrome plated finish meets the standard of ASTM-SC2.
- 5.Vertical force could support a static load of 2 Kgf.
- 6.Frosted glass tumbler. Capacity: 220ml.
- 7.The hollow plinth design could stabilize the glass.
- 8.Coordinates with other products in 6880 collection.

unit: mm[inch]

