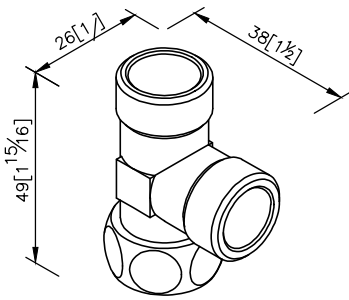


**Swivel Tee**  
**6874-YY-80CR**

1. Brass with chrome-plated finish meets the standard of ASTM-SC2.
2. Brass material meets JIS 3604 Standard.
3. Thread: (M)1/2G\*(M)1/2G.



unit: mm[inch]

