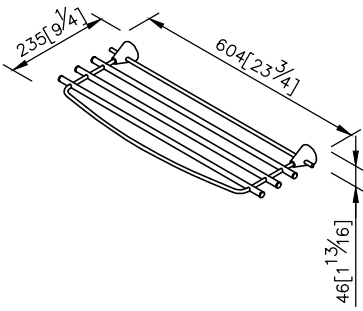


Bath Towel Rack
6874-65-80CP



unit: mm[inch]

- 1.Brass forging mounting base meets JIS 3771 standard.
- 2.Brass tube meets JIS 3604 standard.
- 3.Justime finishes resist corrosion and tarnish.
- 4.Chrome plated finish meets the standard of ASTM-SC2.
- 5.Vertical force could support a static load of 5 Kgf.
- 6.The size of towel rack: 600x234 mm.
- 7.The cone pedestal of the bathroom accessories could increase the elegance for environment.
- 8.Coordinates with other products in 6874 collection.

