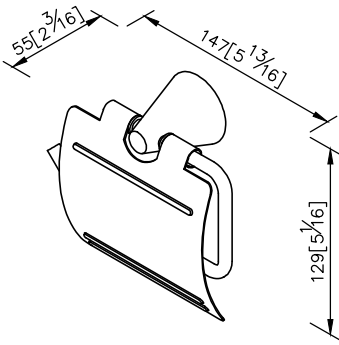
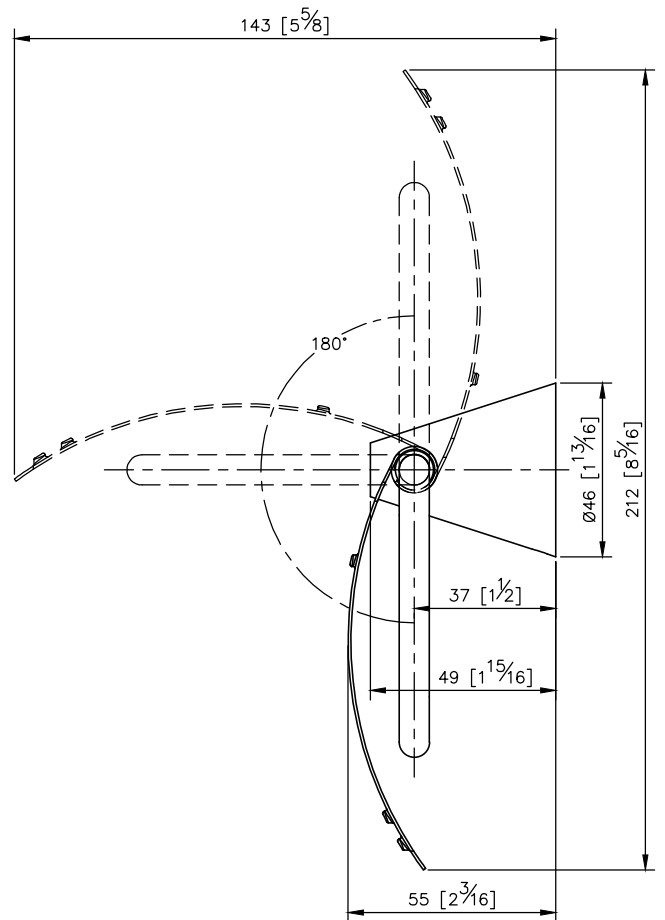
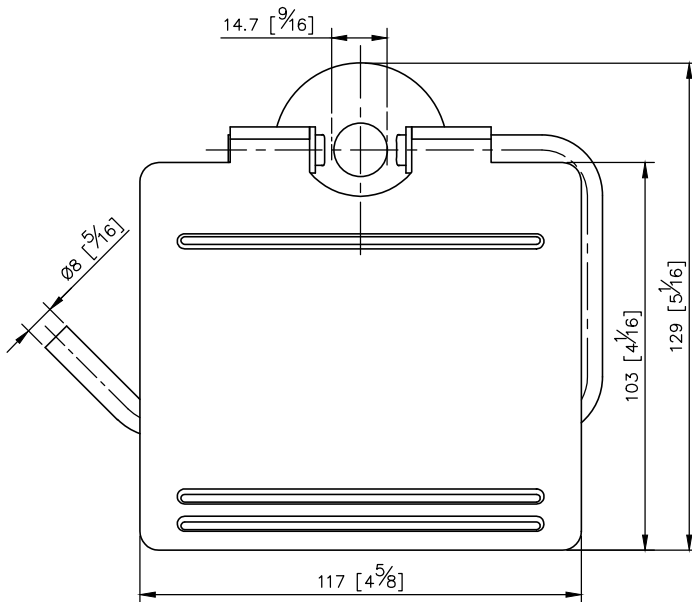
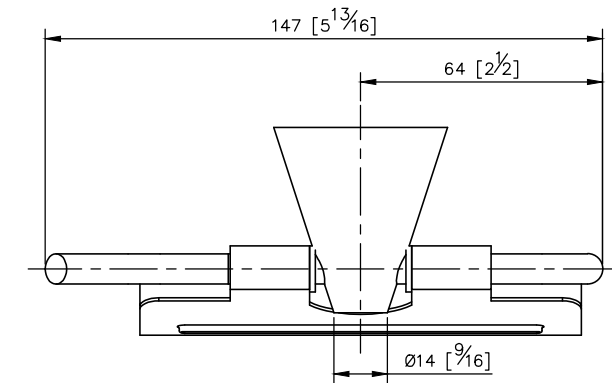


**Toilet Tissue Holder W/Lid**  
**6874-41-80CP**



- 1.Brass of forging mounting base meets JIS 3771 standard.
- 2.Brass of tissue holder ring meets JIS 3604 standard.
- 3.Top lid material with stainless steel SUS #304.
- 4.Chrome plated finish meets the standard of ASTM-SC2.
- 5.Vertical force could support a static load of 5 Kgf.
- 7.The cone pedestal of the bathroom accessories could increase the elegance for the environment.
- 8.Coordinates with other products in 6874 collection.

unit: mm[inch]



**Mounting Template Specification**

