

Toilet Tissue Holder W/Lid 6874-41-80CP

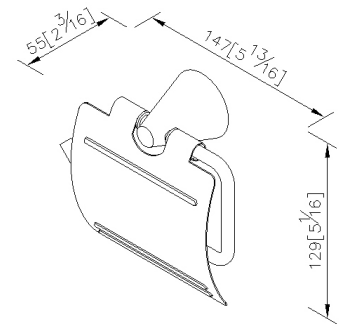
INTRODUCTION:

Geometric figures depict an elegant and beautiful tissue holder. Chrome plated surface has a smooth touching texture, turning a simple holder into an artistic decoration that upgrades the quality of bathing space. Top lid helps cover the tissue roll, which improves the convenience and prevents the tissue from water splashing on.



DESCRIPTION:

- 1.Brass of forging mounting base meets JIS 3771 standard.
- 2.Brass of tissue holder ring meets JIS 3604 standard.
- 3.Top lid material with stainless steel SUS #304.
- 4.Chrome plated finish meets the standard of ASTM-SC2.
- 5.Vertical force could support a static load of 5 Kgf.
- 7.The cone pedestal of the bathroom accessories could increase the elegance for the environment.
- 8.Coordinates with other products in 6874 collection.



unit:mm[inch]

Certificaion:

Fixing Kits:

- 1.SUS 304 Stainless Steel Screws*2
- Plastic Anchors*2
Material of Wall Mount Bracket: Steel with zinc plating*1

AWARD: