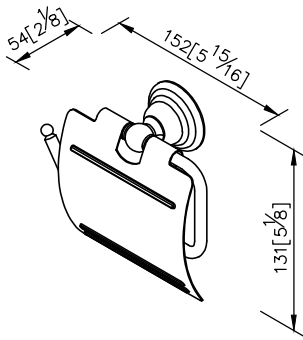


Toilet Tissue Holder W/Lid
6873-41-80CP



unit: mm[inch]

- 1.Brass of forging mounting base meets JIS 3771 standard.
- 2.Brass of tissue holder ring meets JIS 3604 standard.
- 3.Top lid material with stainless steel SUS #304.
- 4.Brass with chrome plated finish meets the standard of ASTM-SC2.
- 5.Vertical force could support a static load of 5 Kgf.
- 6.The cone plinth of the bathroom accessories could increase the elegance for the space.
- 7.Coordinates with other products in 6873 collection.

