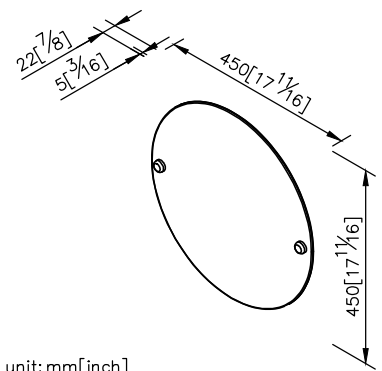


**Mirror**  
**6864-76-80CP**

1. The chrome-plated surface of holders meet SC2 standard of ASTM for 5 years guarantee, highly increasing the brightness, durability and antirust ability.
2. Mirror with German explosion-proof membrane on its backside, mirror fragments won't fall down.
3. With screw bag.



unit: mm[inch]

