

Toilet Tissue Holder 6863-40-80SV

INTRODUCTION:

The base had been modeled with ancient shield and halberd shape, the unique style leaving endless imagination, and make people feel like being in the gorgeous European-style palace.

DESCRIPTION:

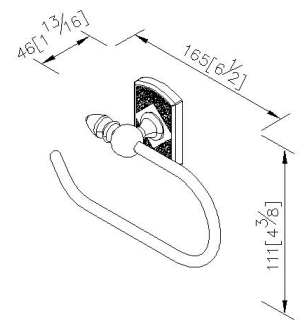
- 1.Brass of forging body meets JIS 3771 standard.
- 2.Premium metal construction for durability.
- 3.Justime finishes resist corrosion and tarnish.
- 4.Finish meets the standard of ASTM-SC2.
- 5.Correctly installed product's loading is 5 kgf.
- 6.Coordinates with other products in 6863 collection.

Certification:

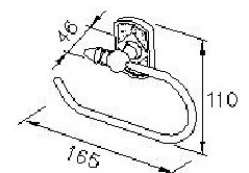
Fixing Kits:

1. SUS 304 Stainless Steel Screws *2
2. Plastic Anchors *2
3. Material of Wall Mount Bracket: Stainless Steel (SUS 304) *1

AWARD:



unit:mm[inch]



unit:mm