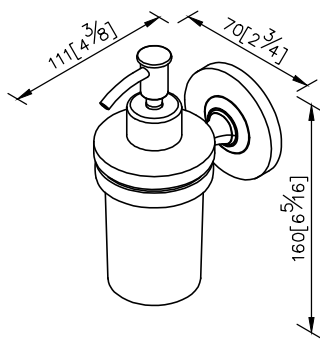
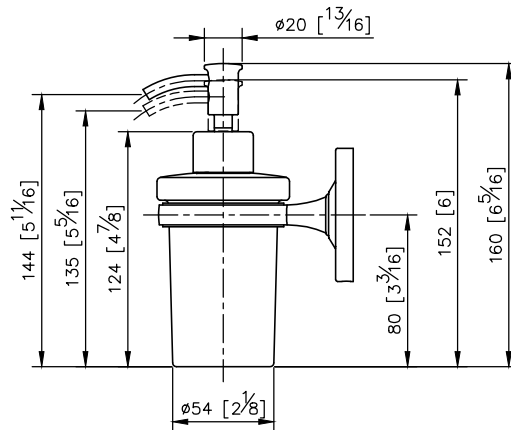
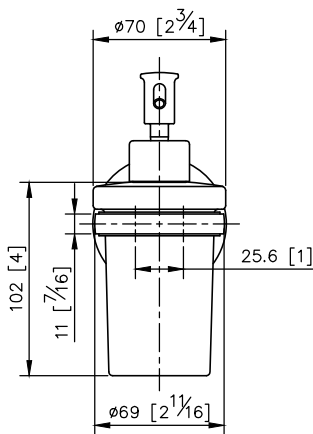
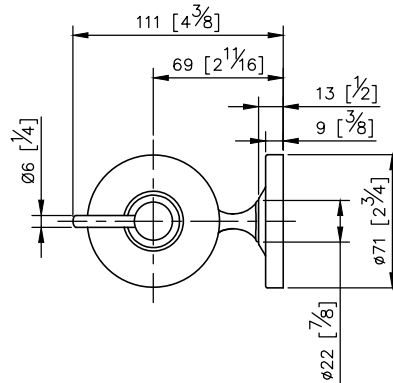


Soap Dispenser
6859-25-80CP



unit: mm[inch]

- 1.Brass of forging body meets JIS 3771 standard.
- 2.Premium metal construction for durability.
- 3.Justime finishes resist corrosion and tarnish.
- 4.Finish meets the standard of ASTM-SC2.
- 5.The simply design concept could be collocated with diverse space.
- 6.Correctly installed product's loading is 2 kgf.
- 7.Transparent glass soap dispenser.
- 8.Capacity: 140ml.
- 9.Coordinates with other products in 6859 collection.



Mounting Template Specification

