

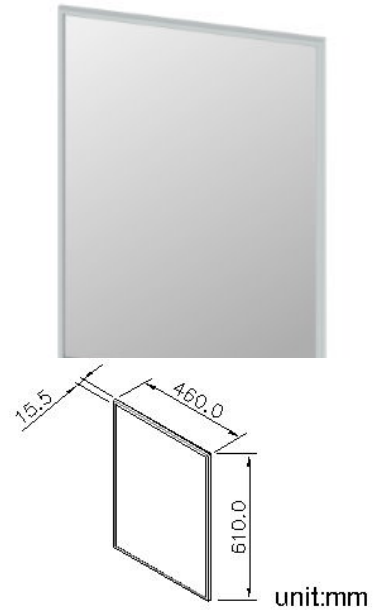
Mirror
6841-K1-80CN

INTRODUCTION:

The simple and generous design without unnecessary lines to increase the fashion style on the showerroom. The special material of the handle has the speciality of skidproof and is easy to use.

DESCRIPTION:

1. Aluminum frame material: 6063T5 Finished: Anodized.
2. For avoiding the rust, the edge of mirror was treated with anti-rust treatment.
3. Material of Screw : Stainless steel SUS 304



Certification:

Fixing Kits:

- 1.

AWARD: