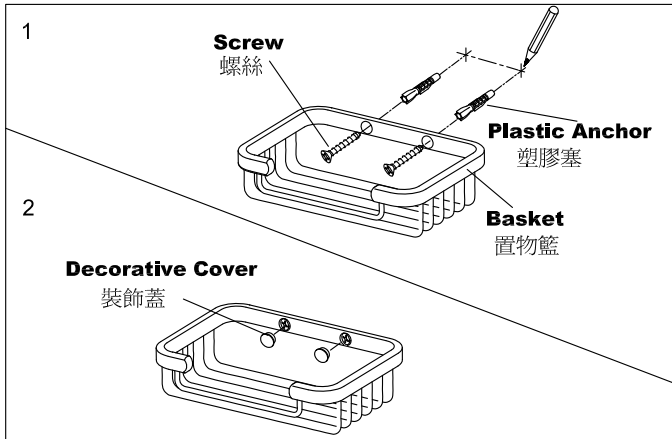


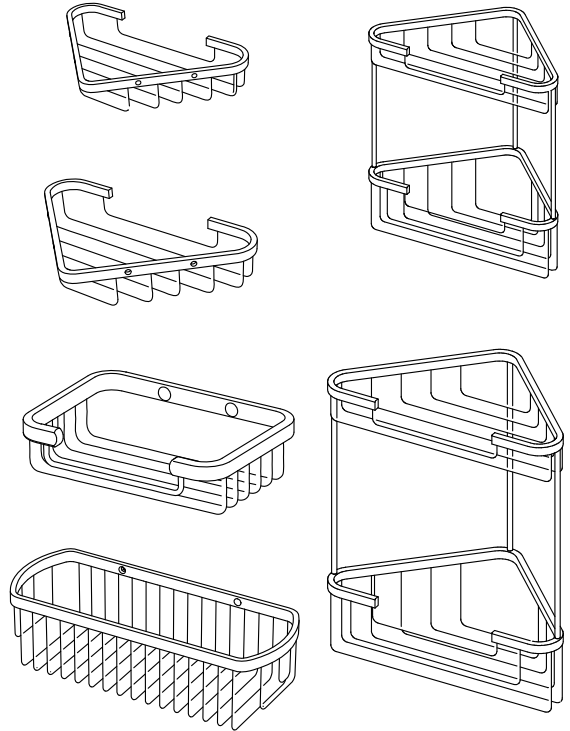
INSTALLATION INSTRUCTIONS

6840安裝說明

1. Using a 6mm drill-bit, drill the holes in the proper positions to a depth of 40mm, then insert the **Plastic Anchors** flush with the wall, and install the **Basket** in place.
在預定安裝置物籃的位置, 使用6 mm鑽頭鑽孔, 鑽孔深度4公分, 嵌入塑膠塞並使之齊平於牆面, 然後以螺絲鎖緊置物籃於牆面上。
2. Secure the **Decorative Covers** to finish.
將裝飾蓋套上置物籃即完成安裝程序。



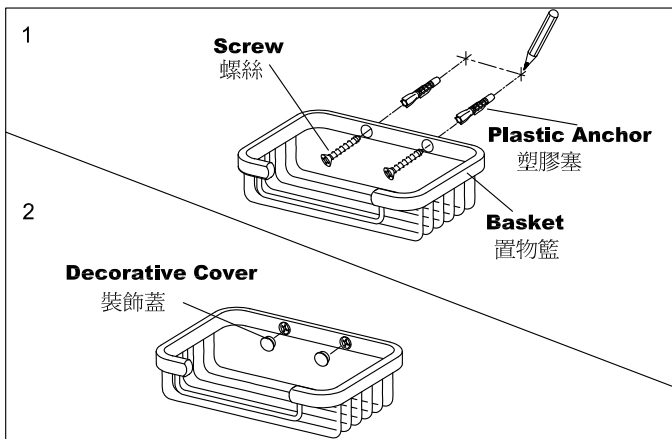
6840 SERIES:



INSTALLATION INSTRUCTIONS

6840安裝說明

1. Using a 6mm drill-bit, drill the holes in the proper positions to a depth of 40mm, then insert the **Plastic Anchors** flush with the wall, and install the **Basket** in place.
在預定安裝置物籃的位置, 使用6 mm鑽頭鑽孔, 鑽孔深度4公分, 嵌入塑膠塞並使之齊平於牆面, 然後以螺絲鎖緊置物籃於牆面上。
2. Secure the **Decorative Covers** to finish.
將裝飾蓋套上置物籃即完成安裝程序。



6840 SERIES:

