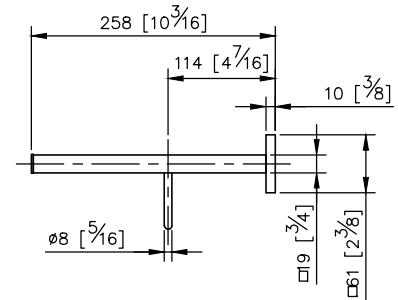
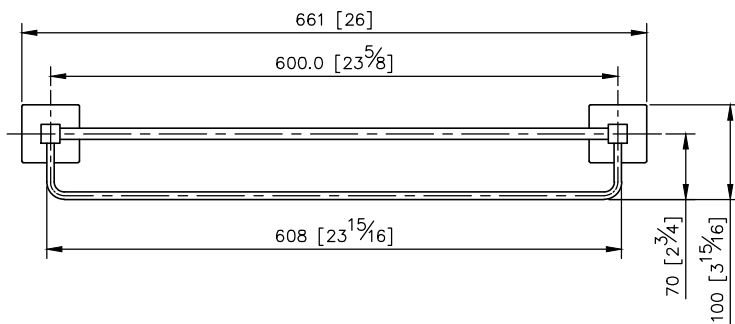
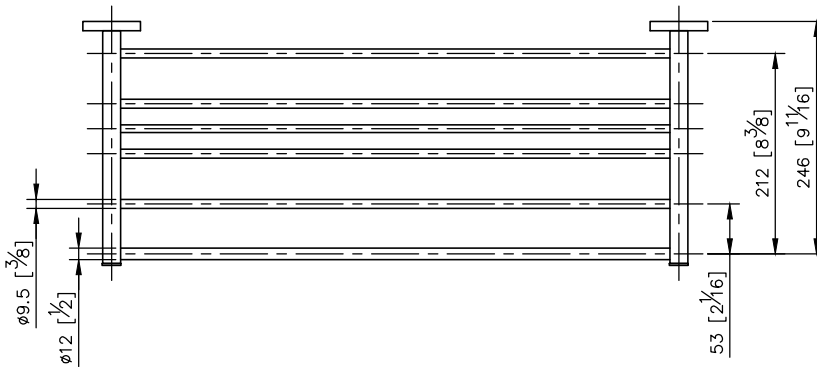


unit: mm[inch]

Bath Towel Rack W/Rail 6818-66-80CP

- 1.Brass of body meets JIS 3604 standard
- 2.Premium metal construction for durability
- 3.Justime finishes resist corrosion and tarnish
- 4.Finish meets the standard of ASTM-SC2.
- 5.The simply design concept could be collocated with diverse space
- 6.Correctly installed product's loading is 5 kg f
- 7.The size of towel bar: 600mm
- 8.The design of rack can decrease the water accumulated
- 9.The towel rail adds the varied using mode
- 10.Coordinates with other products in Boulevard collection



Mounting Template Specification

