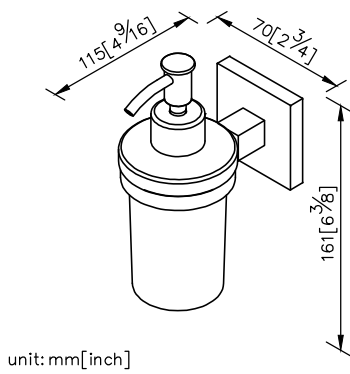
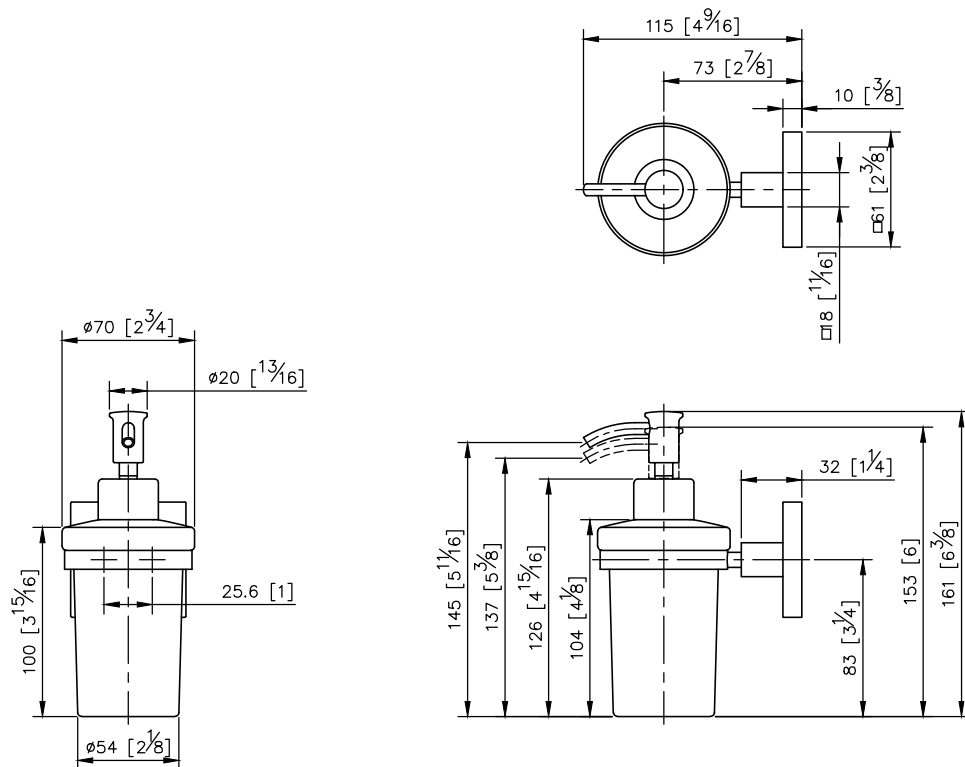


**Soap Dispenser**  
**6818-25-80CP**



- 1.Brass of body meets JIS 3604 standard.
- 2.Premium metal construction for durability
- 3.Justime finishes resist corrosion and tarnish
- 4.Finish meets the standard of ASTM-SC2.
- 5.The simply design concept could be collocated with diverse space
- 6.Correctly installed product's loading is 2 kg f
- 7.Frosted glass soap dispenser
- 8.1.0cc for each dispense
- 9.Capacity: 140ml
- 10.Coordinates with other products in Boulevard collection



**Mounting Template Specification**

