

## Cubic

### Shelf

6817-70-80CP

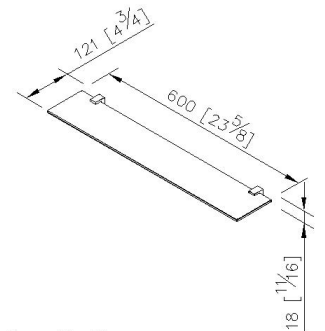
#### INTRODUCTION:

The main body had been designed with lovable elongate square shape, it demonstrate the neat esthetic sensibilities.



#### DESCRIPTION:

- 1.Brass of sand-casting body meets JIS 3604 standard
- 2.Premium metal construction for durability
- 3.Justime finishes resist corrosion and tarnish
- 4.Finish meets the standard of ASTM-SC2
- 5.Correctly installed product's loading is 5 kg f
- 6.Coordinates with other products in Cubic Collection
- 7.Tempered glass(600\*110\*6mm)



unit: mm[inch]

#### Certificaion:

#### Fixing Kits:

- 1.SUS 304 Stainless Steel Screws\*4
- Plastic Anchors\*4

#### AWARD: