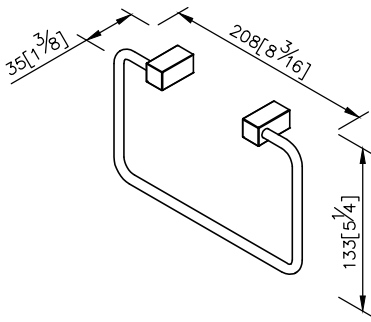


Towel Ring
6817-60-80CP



1. Brass of sand-casting body meets JIS 3604 standard
2. Premium metal construction for durability
3. Justime finishes resist corrosion and tarnish
4. Finish meets the standard of ASTM-SC2
5. Correctly installed product's loading is 4 kg f
6. Coordinates with other products in Cubic Collection

unit: mm[inch]

