

Simple

Soap Dispenser 6810-28-80CP

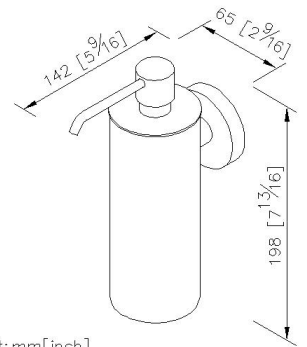
INTRODUCTION:

Devoid of any striped or colored ornaments, it shows the beauty the simple design.



DESCRIPTION:

- 1.Brass of forging body meets JIS 3771 standard
- 2.Premium metal construction for durability
- 3.Justime finishes resist corrosion and tarnish
- 4.Finish meets the standard of ASTM-SC2.
- 5.The simply design concept could be collocated with diverse space
- 6.Correctly installed product's loading is 2 kg f
- 7.stainless steel soap dispenser
8. 1.0cc for each dispense
- 9.Capacity: 360ml
- 10.Coordinates with other products in 6810 collection



Certificaion:

Fixing Kits:

- 1.SUS 304 Stainless Steel Screws *2
- Hex Key2.0mm *1
Plastic Anchors *2
Material of Wall Mount Bracket: Stainless Steel (SUS 304) *1

AWARD: