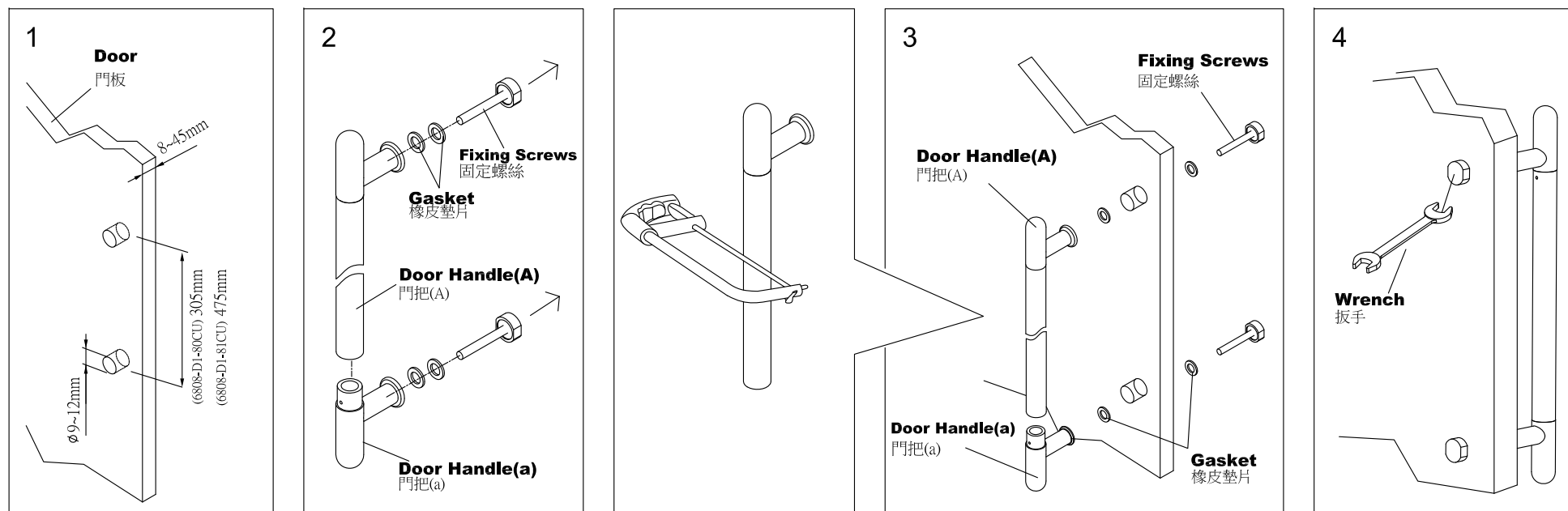


INSTALLATION INSTRUCTIONS

Door Handle (C/C 305/475MM) (Antimicrobial Copper)

抗菌銅單把手組安裝說明



CAUTION: Before installation, please help to confirm the thickness of door is between 8 and 45mm and use the product as the template to drill holes as the Fig 1 shown.

注意：請於安裝前先確認門厚度為8~45mm，對照產品編號進行鑽孔，確認門板鑽孔的位置與大小如圖一所示

1. Disassemble the components from the Door Handle Set before installation as Fig. 2 shown.

如圖2所示，安裝前將零件由門把上拆卸下來

2. Assemble the **Door Handle (A)** and **(a)**, and then fix the Door Handle as the Fig. 3 shown with **Fixing Screws**.

如圖3所示，將門把B放入門把A銅管中，接著將整組門把安裝於門上，並鎖入固定螺絲。

CAUTION: For making sure the Door Handle could be installed exactly to the holes of door, you may need to cut the copper tube of Door Handle (A) if it's necessary as the distance of holes is less than 305mm or 475mm.

注意：為確保門把位置能準確安裝，必要時將門把A進行裁切（若鑽孔距小於305MM 或475MM）。

3. Tighten the **Fixing Screws** with Wrench to finish the installation.

安裝完成後，使用扳手將固定螺絲逼緊固定於門板上。