

Drawer Handle 6806-P1-80S1

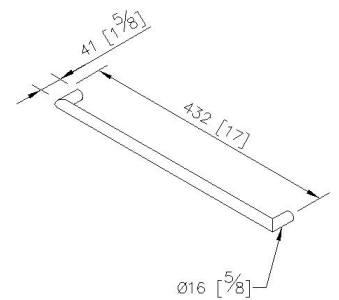
INTRODUCTION:

The compact brushed base was designed with column shape, staggered lines disseminate a real sense of stability.



DESCRIPTION:

1. Stainless Steel body meets SUS 304 standard.
2. Premium metal construction for durability.
3. Justime finishes resist corrosion and tarnish.
4. The simply design concept could be collocated with diverse space.
5. Correctly installed product's loading is 10 kgf.
6. The size of handle: 416mm.
7. Coordinates with other products in 6806 collection.



unit: mm[inch]

Certification:

Fixing Kits:

1. N/A

AWARD: