

## Still One

### Toilet Tissue Holder 6806-40-80S1

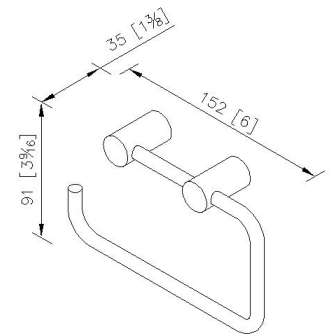
#### INTRODUCTION:

The compact brushed base was designed with column shape, staggered lines disseminate a real sense of stability.



#### DESCRIPTION:

1. Stainless Steel body meets SUS 304 standard.
2. Premium metal construction for durability.
3. Justime finishes resist corrosion and tarnish.
4. The simply design concept could be collocated with diverse space.
5. Correctly installed product's loading is 5 kgf.
6. Coordinates with other products in 6806 collection.



unit: mm[inch]

#### Certification:

#### Fixing Kits:

- 1. SUS 304 Stainless Steel Screws \*2
- Hex Key 1/8" \*1
- Plastic Anchors \*2
- Material of Wall Mount Bracket: Copper JIS3604 \*2

#### AWARD: