

## Shelf 6804-70-80SS

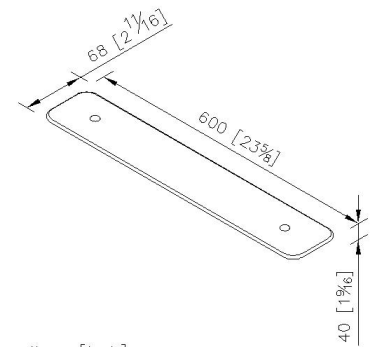
### INTRODUCTION:

The main base had been designed with extended cone shape, the lovely appearance display the charming flavor.



### DESCRIPTION:

- 1.High Quality Brass.
- 2.Premium metal construction for durability.
- 3.Justime finishes resist corrosion and tarnish.
- 4.Finish meets the standard of ASTM-SC2.
- 5.The cone plinth of the bathroom accessories could increase the elegance for environment.
- 6.Finished: Brushed Nickel with Lacquer, which it's not easy to leave fingerprints on the surface.
- 7.Correctly installed product's loading is 5 kgf.
- 8.The size of tempered glass: 600\*110\*6mm.



### Certificaion:

### Fixing Kits:

- 1.SUS 304 Stainless Steel Screws\*4
- Hex Key 1/8"\*1  
Plastic Anchors\*4  
Material of Wall Mount Bracket: Copper JIS3771\*2

### AWARD: