

Towel Bar
6803-10-80CP

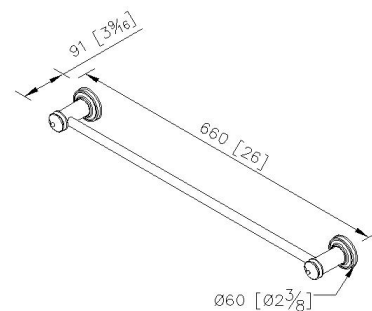
INTRODUCTION:

Inspired by the revival, the base has been devised with the parallel and spindle lines to display the gorgeous beauty of Middle Ages.



DESCRIPTION:

- 1.Brass meets JIS 3604 standard.
- 2.Premium metal construction for durability.
- 3.Justime finishes resist corrosion and tarnish.
- 4.Finish meets the standard of ASTM-SC2.
- 5.The pedestal could increase the stability for user.
- 6.Correctly installed product's loading is 4 kgf.
- 7.The size of towel bar : 600mm.
- 8.The cylinder plinth of the bathroom accessories could increase the elegance for environment.



unit: mm[inch]

Certification:

Fixing Kits:

- 1.SUS 304 Stainless Steel Screws*4
- Plastic Anchors*4
Material of Wall Mount Bracket: Steel with zinc plating*2

AWARD: