

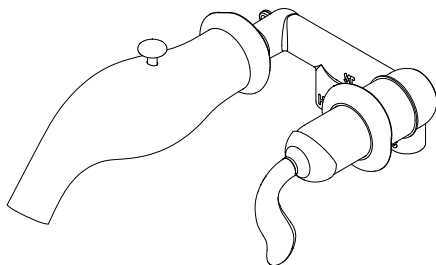
INSTALLATION INSTRUCTIONS

Single-Handle Wall-Mounted Bath Mixer

壁式單把雙控水龍頭

Applicable Product Number:

適用產品型號:



6781-X4-80CP

CARE & CLEANING

清潔與保養

CAUTION : This product might be damaged by improper installation, acid cleaning solution, misuse, improper care and cleaning.

1. Always follow the INSTALLATION INSTRUCTIONS provided and use extreme care while installing.
2. Do not use acid cleaning solution or abrasive cleaner (Ex: Hydrochloric acid or toothpaste); test your cleaning solution on an inconspicuous area before applying to the entire surface.
3. Wipe surfaces clean and rinse completely with water immediately after applying cleaner. Do not soak with cleaners. Rinse and dry any overspray that lands on nearby surfaces.
4. Use a dampened sponge or cloth to clean surface. (Do not use abrasive material such as brush or scouring pad.)

注意：此產品有可能因為不當安裝，誤用酸性清潔劑或清潔方式不正確而造成產品受損。

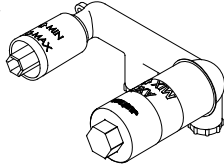
1. 產品安裝時必須依照產品所附的安裝說明和操作方式安裝。
2. 不可使用含有酸性或具研磨效果的清潔劑清洗（例如：鹽酸、牙膏），請先在產品較不顯眼的地方測試您的清潔方法，然後再應用到整個表面。
3. 產品塗佈清潔劑後，應立即擦拭除污，用清水沖洗，並擦乾產品和檯面。切勿讓清潔劑在產品表面浸濕潤漬過久。
4. 請使用濕海綿或乾淨棉布擦拭產品表面。（不可使用會刮傷或具研磨材質的刷子及鋼刷）。

FIXING CONTENTS

組配件內容

A. Valve Body * 1

閥體



B. Handle Flange * 1

把手法蘭蓋



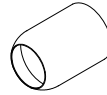
C. Handle * 1

開關把手



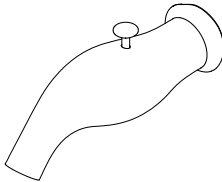
D. Bonnet * 1

半圓蓋



E. Spout * 1

出水口



F. Hex Key 1/8" * 1

六角扳手



G. Hex Key 2.5mm * 1

六角扳手



H. Set Screw M5 * 1

止付螺絲



I. Spout Connector * 1

出水口接頭



Inside Pipe Arrangement

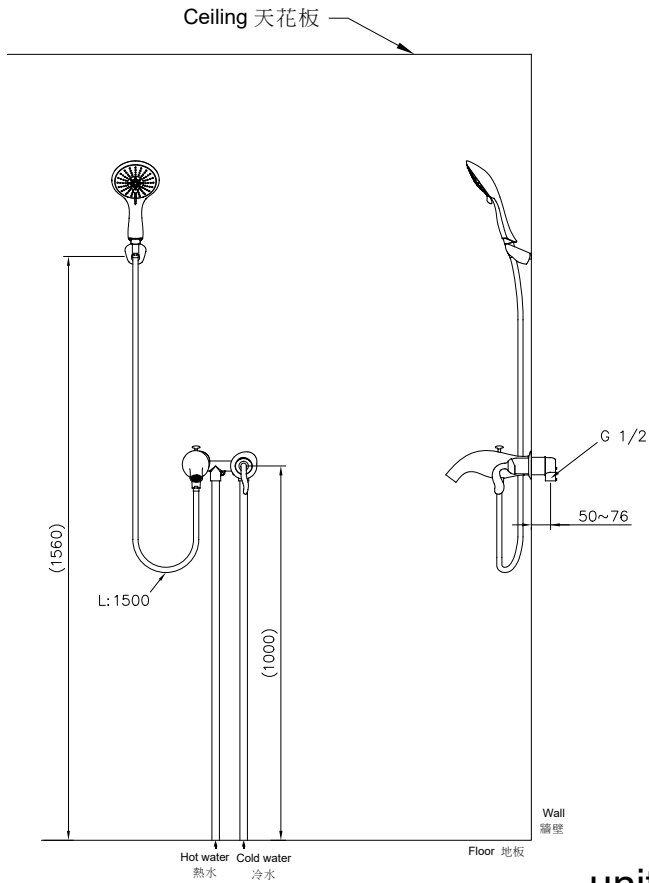
管路示意圖

NOTICE

Size in the parentheses is only for reference, please help to adjust the height to suit for independent situation.

※注意

()內之尺寸請依使用者之使用高度做調整，以下尺寸僅供參考。



unit:mm

INSTALLATION NOTE

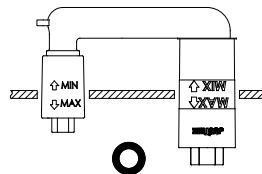
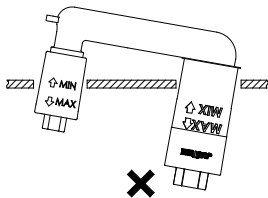
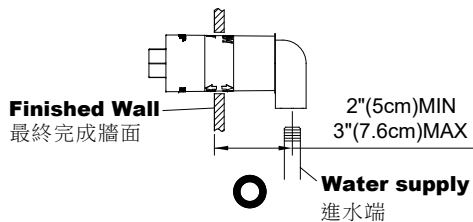
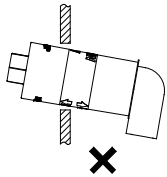
安裝注意事項

⚠ **CAUTION : Please read the following point carefully before Installation.**

1. Keep the **Valve Body** faces horizontal and parallel to the wall that will be finished.
2. Connect hot and cold supplies pipes to the valve body, and keep the distance between 2"(5cm) minimum and 3"(7.6cm) maximum from the finished wall; or keep the distance be 1.5" (3.8cm) to 2.5" (6.4cm) between top of cartridge and Finished Wall for necessary conditions.

⚠ 注意：安裝前，請詳閱下列注意事項。

1. 本產品安裝固定閥體於牆壁內側時，閥體需與牆壁保持平行。
2. 進水管中心與最終完成牆面的距離須保持在最小2"(5cm)到最大3"(7.6cm)之間，或陶瓷中心栓與最終完成牆面保持在最小1.5"(3.8cm)到最大2.5"(6.4cm)。



INSTALLATION NOTE

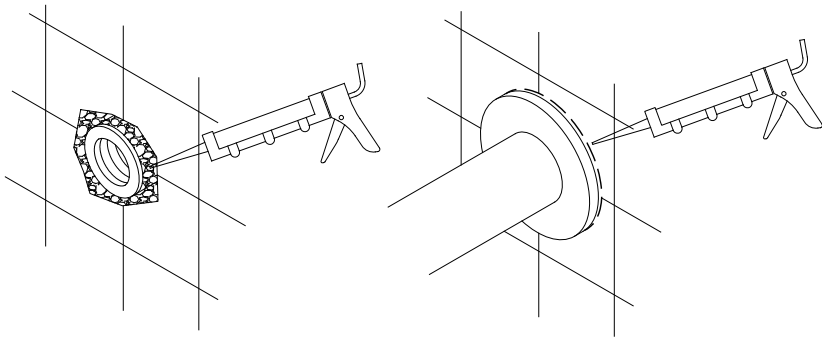
安裝注意事項

⚠ CAUTION : Concealed products need to be waterproof for the gap between the outlet of pipe and opening of wall/floor to prevent water flowing into the gap.

1. Caulk the gap with sealant or silicone.
2. Or seal the edge of decorative faceplate or cover with silicone
3. If the wall/floor is not flat or the gap of tile is big, please help to fill the gap with gap filler or caulking sealant to make decorative faceplate or cover be flat, and then seal the edge of decorative faceplate or cover to be waterproof.

⚠ 注意：壁式產品需在牆壁開孔周圍做好防水，避免水沿著牆壁開孔流入牆壁內側。

1. 在出水管與牆壁之間間隙加入填縫劑或矽利康。
2. 或者用矽利康在牆壁裝飾蓋的周圍做封邊。
3. 若牆壁不平整或磁磚縫隙過大，需用填縫劑將縫隙填平，使面蓋可貼齊牆壁，達到止水效果。



⚠ CAUTION : Prevent the risk of product damage.

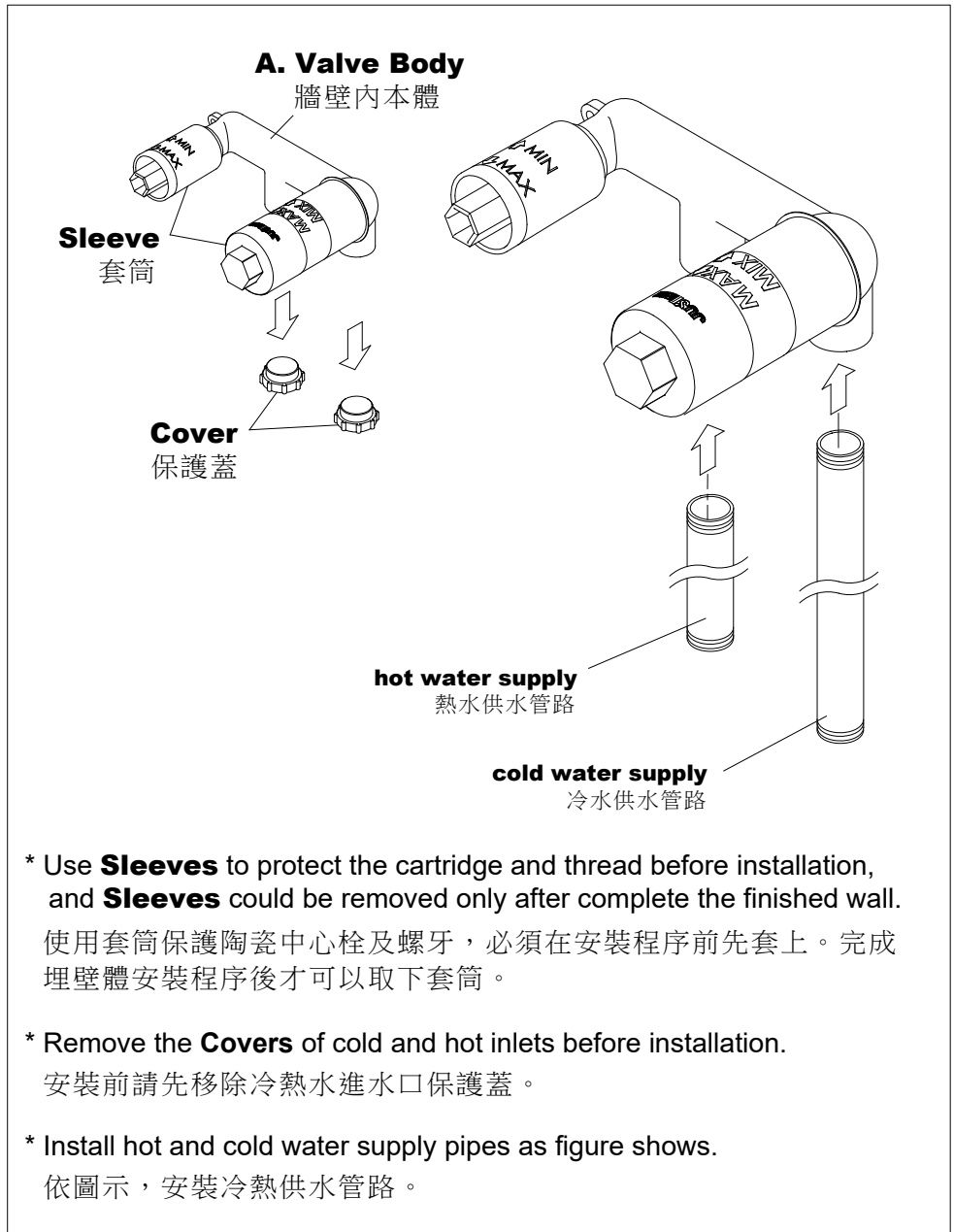
1. When finished installation, turn the valve on and run water for 1 minute to remove any debris before using.

⚠ 注意：為增加產品使用壽命，請依說明清潔供水管路。

1. 完成安裝後，需在使用前先把供水開關全開排水持續一分鐘，去除雜質，以保持管路清潔。

INSTALLATION INSTRUCTIONS

安裝說明



Finished Wall
最終完成牆面

Sleeve
套筒

2"(5.1cm)MIN
3"(7.6cm)MAX

Water supply
進水端

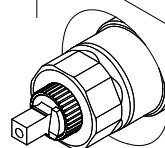
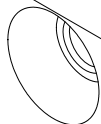
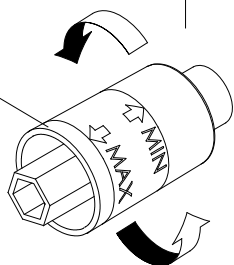
Finished Wall
最終完成牆面

1.5"(3.8cm)MIN
2.5"(6.4cm)MAX

* Connect hot and cold supply pipes to the **Valve Body**, and keep the distance between 2" (5.1cm) minimum and 3" (7.6cm) maximum from the Finished Wall to the center of **Valve Body**; or keep the distance be 1.5" (3.8cm) to 2.5" (6.4cm) between top of cartridge and Finished Wall for necessary conditions.

安裝牆壁內本體時需預留的牆壁厚度，牆壁內本體與最終完成牆面的距離須保持在最小2"(5.0cm)到最大3"(7.6cm)之間，或陶瓷中心栓與最終完成牆面保持在最小1.5"(3.8cm)到最大2.5"(6.4cm)，此為安裝必要條件。

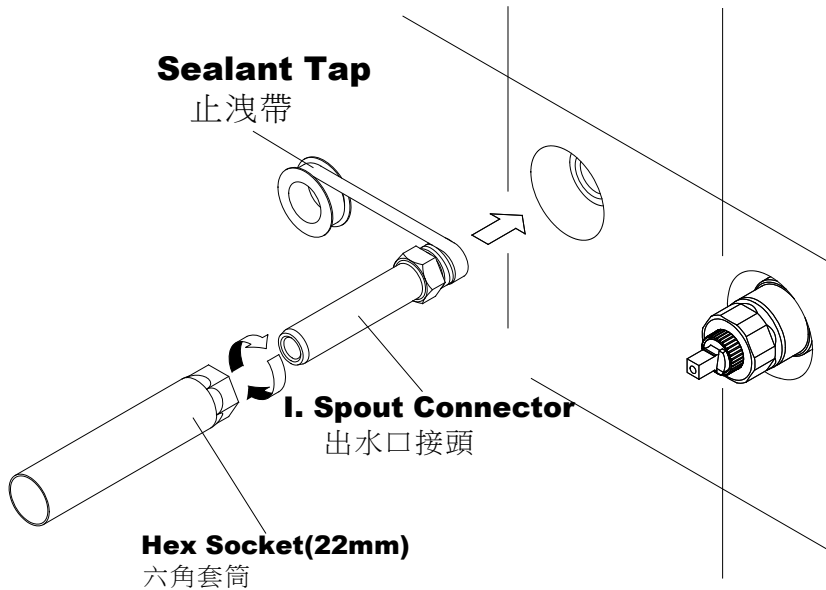
Sleeve
保護蓋



Sleeve
保護蓋

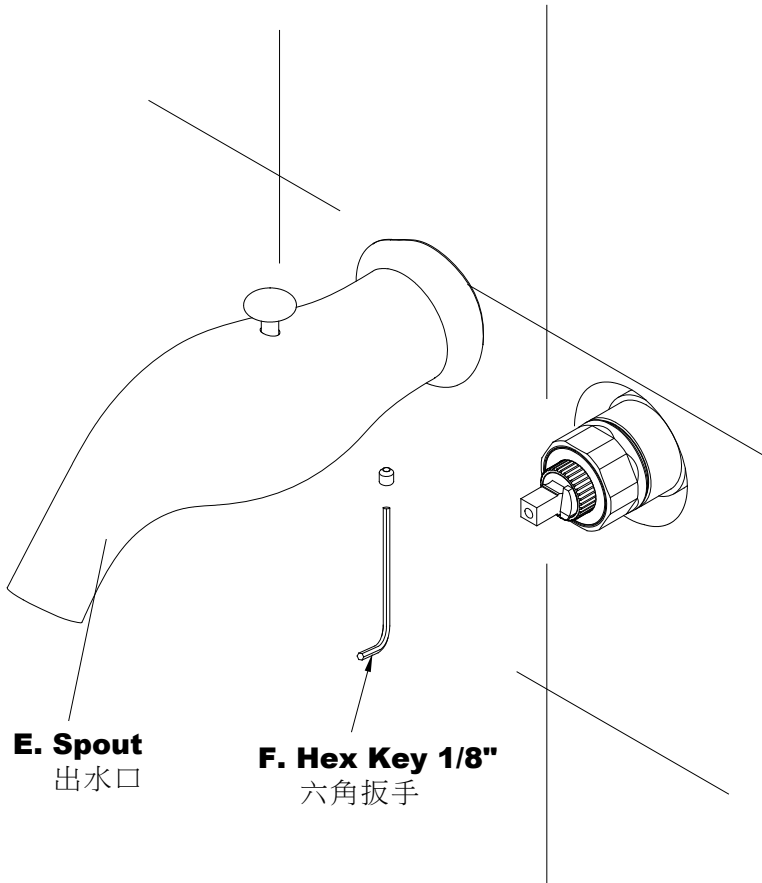
* Remove **Sleeves** after complete Finished Wall, and then go for next steps.

最終牆面完成後，再將保護蓋卸除，進行後續組裝。



* Apply pipe compound or thread sealant tape to the thread of **Spout Connector**, and screw the **Spout Connector** to the **Valve Body** with **Hex Socket(22mm)**

先將出水口接頭鎖牙處纏上止洩帶或塗上止洩膠後，使用六角套筒(22.0mm)將出水口接頭鎖入牆壁內本體鎖牙處。

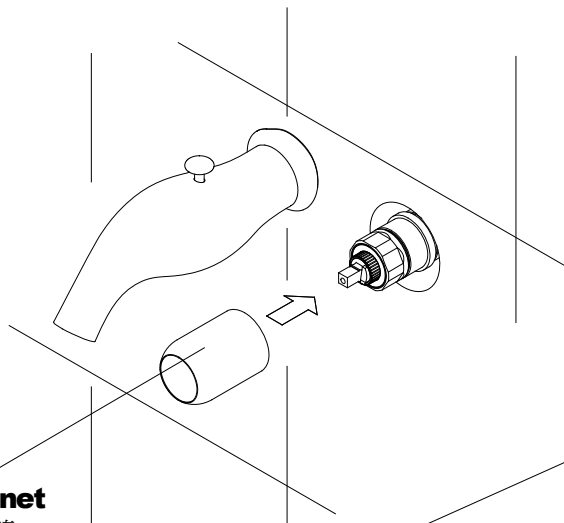


*Slide **Spout** to **Spout Connector** till against the Finished Wall, and then tighten **Set Screw** with **Hex Key (1/8")** for fixing **Spout**.

先將出水口插入出水口接頭，使出水口與牆面完全貼合，再使用六角扳手(1/8")將出水口下方內六角螺絲鎖緊，使其固定出水口。

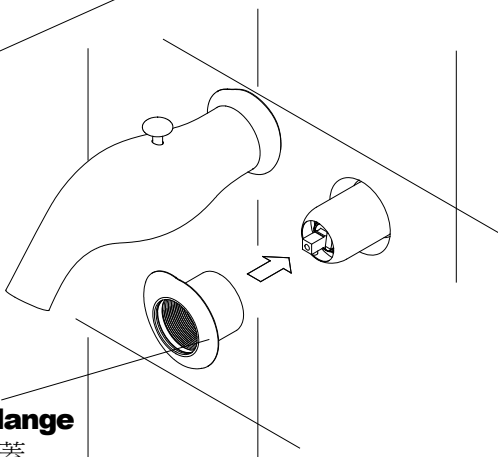
* Cover **Bonnet** to the cartridge of **Valve Body**.

將半圓蓋套入閥體。



D. Bonnet

半圓蓋

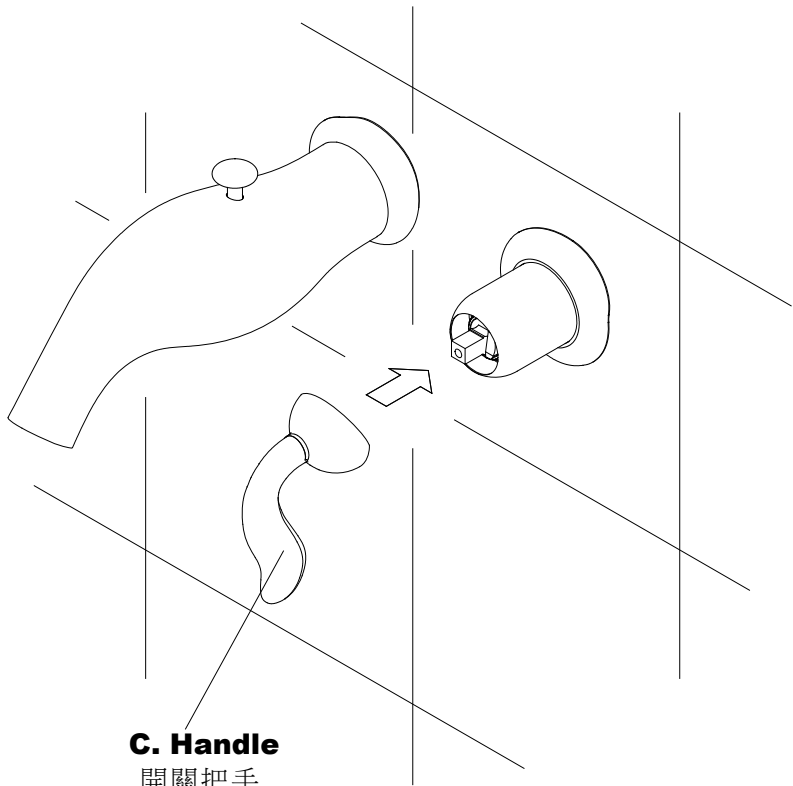


B. Handle Flange

把手法蘭蓋

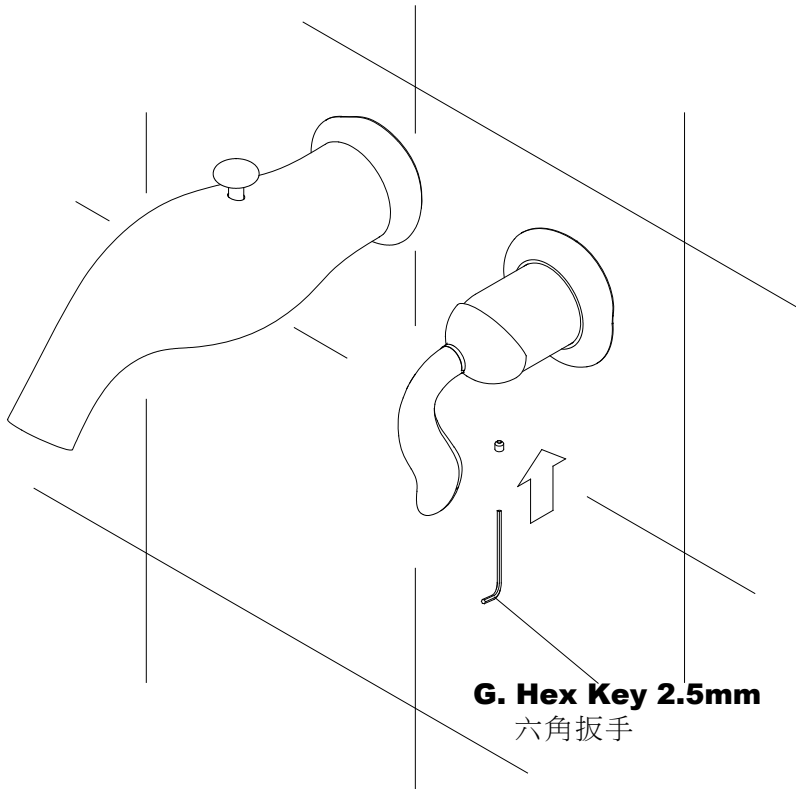
* Screw the **Handle Flange** clockwise till against finished wall.

將把手法蘭蓋鎖入半圓蓋內直到貼緊牆壁。



C. Handle
開關把手

* Cover the **Handle** on.
取把手套入半圓蓋。

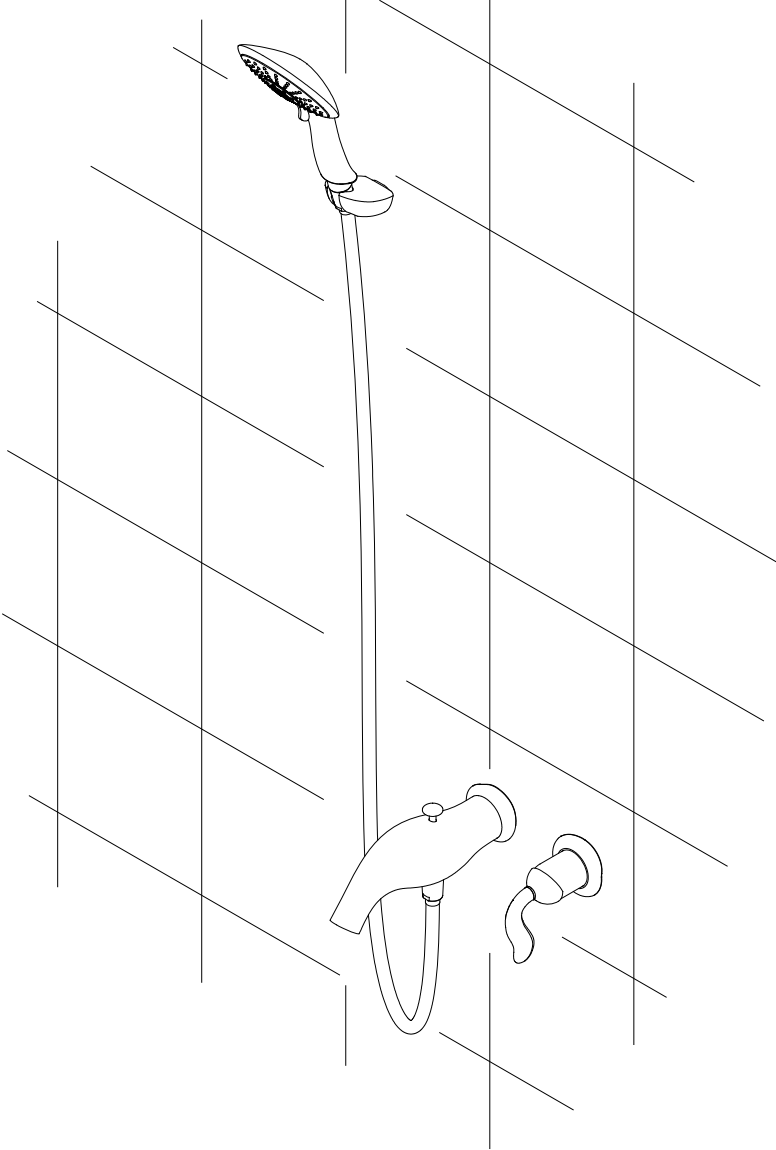


* Fix the **Handle** to the Cartridge side of Valve Body with **Hex Key(2.5mm)**.

使用六角扳手(2.5mm)將把手固定於襯套上。

Finish Installation

完成圖



WARRANTY

Sheng Tai Bassware Co., Ltd. offer a three-year warranty on all of the Faucets & Bathroom Accessories from date of purchasing. The warranty covers any defect in material and workmanship during normal residential use. The following conditions of defect are charged for maintaining.

- Damage caused by accident, misuse, improper care and cleaning.
- Improper using or installation.
- Defects because of the external factors, such as erodent environment (ex. Seashore or mineral spring.), animal bites or dead bug remains in product etc.
- Defect because of sand or impurity stuck in faucet water way.
- Using water not adhered to the regulations of national standard.
- Deficiency caused by freeze.
- Not showing this warranty card.
- Not filling out in the blank of name of customer, date of purchase, cost of purchase, company of installation (retail store) and stamp on warranty card.
- Sheng Tai Co., Ltd. is not responsible for labor charges, installation, or other incidental or consequential costs.

勝泰衛材股份有限公司提供所有的水龍頭及浴室配件，從購買之日起三年保固。保固範圍包括在一般住宅正常使用的期間，發現產品有任何材質和加工上的瑕疵。如瑕疵有下列情形，將收取維修費用。

- 因意外事故、不當操作使用，不當的保養維護和清洗所造成的損害。
- 不當使用或安裝。
- 外在因素造成產品的瑕疵，如易造成侵蝕的環境（如濱海或溫泉地區）、動物嚙咬或昆蟲屍體存在於產品內造成的損壞。
- 因砂子或雜質卡住水龍頭水路造成的損壞。
- 沒有依循國家標準的規定使用水源造成的損壞。
- 因冰凍造成的水量不足。
- 未出示此保固卡。
- 未在空白處填寫客戶名稱，購買日期，購買成本，安裝公司（零售商店），及保證卡上未蓋章。
- 勝泰衛材股份有限公司不負責工人費用，安裝，或其他附帶或間接產生的費用。

Customer	Name		Tel	
	Address			
Product	Serial No.		Name	
	Warranty	Three year from date of purchase.		
Purchase place	Store		Tel	
	Address			
Purchase Date				
Purchase Price				

JUSTIME
www.justime.com

SHENG TAI BRASSWARE CO., LTD.

No.99 Sec.3 Chang Tsao Rd. Ho Me, Chang Hua, Taiwan

508 台灣彰化縣和美鎮彰草路3段99號

TEL: +886-4-7629971~4

FAX: +886-4-7526980

E-mail: shengtai@ms10.hinet.net

Facebook: www.facebook.com/JUSTIME