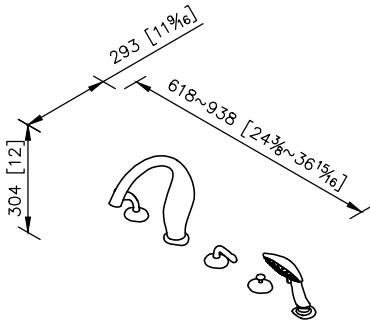


Bathtub Faucet 6781-M2-80CP



unit: mm[inch]

- 1.Brass with Chrome plated meets ASTM-SC2 standard.
- 2.Handle material meets JIS 3771 Standard.
- 3.Stainless steel braided hose with SANTOPRENE tube meets NSF approval, can stand 15Kg/cm2 water pressure and 120°C heat.
- 4.Swiveling spout has tested up to 50,000 turns test.
- 5.Swiveling design not only maintains complete shape, but decreases the accumulated filth.
- 6.The smooth shape and lines could increase the gradation of vision and will protect users from any accidental injure.
- 7.Hand shower has five functions to use.

